



## CHM WORM GEARED MOTORS AND WORM GEAR UNITS



CHME



CHM



CHMRE



CHMR





## INTRODUCTION

The worm gears made by Chiaravalli Group S.p.A. are square and are considerably versatile for mounting. The machining of the components, carried out using numeric control machines, guarantees maximum precision for the restricted tolerances, producing a product that will remain reliable over time.

The groups are constructed with aluminium casings from sizes 025 to 090, while the sizes 110, 130 and 150 are made from cast iron.

All of the bodies are painted with RAL 9022 aluminium colour to protect the parts from aging and to give better protection against microblowholes that may be present in the aluminium.

The gears are supplied with at least one filling plug that is also used during testing to check for possible leaks.

A connection flange allows two gears to be combined in order to obtain high gear ratios.

Four sizes of CHPC pre-stage gears are available to pair with the gears; these are also constructed in aluminium and are painted like the worm gears.

All of the groups are supplied with a lubricant whose characteristics are described in the following table.

## LUBRICATION

	CHM 025/090	CHM 110/150			CHPC
<b>Lubricant</b>	Synthetic	Mineral	Mineral	Mineral	Synthetic
<b>°C ambient</b>	-25°C/+50°C	-25°C/+50°C	-5°C/+40°C	-15°C/+25°C	-25°C/+50°C
<b>ISO</b>	VG320	VG320	VG460	VG220	VG320
<b>AGIP</b>	TELIUM VSF 320	BLASIA 320	BLASIA 460	BLASIA 220	TELIUM VSF 320
<b>SHELL</b>	TIVELA OIL S 320	OMALA OIL 320	OMALA OIL 460	OMALA OIL 220	TIVELA OIL SC 320
<b>IP</b>	TELIUM VSF	MELLANA OIL 320	MELLANA OIL 460	MELLANA OIL 220	TELIUM VSF



## LUBRICATION

The size 025 to 090 gears are supplied complete with synthetic oil and therefore do not require any maintenance.

The size 110, 130 and 150 gears are supplied with the quantity of mineral oil foreseen for the B3 assembly position. It is the client's responsibility to adapt the quantity of oil to the assembly position and in addition, to substitute the filling plug, supplied closed for transport reasons, with the one equipped with a hole attached to the gear.

If the breather plug is not installed it may create internal pressure with a consequent leakage of oil from the oil seals.

For the sizes 110, 130 and 150 we recommend that the oil is changed after the running in period, approx. 300 working hours.

2D and 3D drawings available on the web site [www.chiaravalli.com](http://www.chiaravalli.com)

Quantity, availability and prices with Chiaravalli B2B



## QUANTITY OF OIL IN LITRES

CHM	025	030	040	050	063	075	090	110	130	150	CHPC	63	71	80	90
<b>B3</b>	0.02	0.04	0.08	0.15	0.30	0.55	1	3	4.5	7		0.05	0.07	0.15	0.16
<b>B8</b>	0.02	0.04	0.08	0.15	0.30	0.55	1	1.4	1.7	5.1		0.05	0.07	0.15	0.16
<b>B6/B7</b>	0.02	0.04	0.08	0.15	0.30	0.55	1	2.2	3.3	5.4		0.05	0.07	0.15	0.16
<b>V5</b>	0.02	0.04	0.08	0.15	0.30	0.55	1	3	4.5	7		0.05	0.07	0.15	0.16
<b>V6</b>	0.02	0.04	0.08	0.15	0.30	0.55	1	2.2	3.3	5.1		0.05	0.07	0.15	0.16



## MOTOR MOUNTING FLANGES

Gears that are supplied with mounting flanges must be assembled with motors whose shaft and flange tolerances correspond to a "normal class" of quality in order to avoid vibration and forcing of the input bearing. Motors supplied by Chiaravalli Group S.p.A. guarantee that this requirement is fulfilled.

For ease of consultation, the correspondence of the size of the B5 and B14 motor with the sizes of the shaft and the motor connection flange are shown in the following table.

Remember that, as the motor connection flanges are separate from the body it is also possible to have a shaft / flange combination that does not correspond to the table, e.g. 19/140, thereby offering adaptability for other non-unified models such as the brushless or direct current types.

MMF	056	063	071	080	090	100	112	132
<b>B5</b>	9/120	11/140	14/160	19/200	24/200	28/250	28/250	38/300
<b>B14</b>	9/80	11/90	14/105	19/120	24/140	28/160	28/160	38/200



## CHM/CHMR/CHME/CHMRE DESIGNATION

TYPE (1)	SIZE (2)	VERSION (3)	FLANGE POS. (4)	i	M.M.F.	MOUNT. POS. (4)
CHM	025	FA	1	7.5	SEE FROM PAGE 31 TO 40	U UNIVERSALE
	030	FB	2	10		B3
CHMR	040	FC		15		B8
	050	FD		20		B6
CHME	063	FE		25		B7
	075			30		V5
CHMRE	090			40		V6
	110			50		
	130			60		
	150			80 100		



## ORDER EXAMPLE

CHM	090	FA (5)	2 (5)	30	90 B14	V5
-----	-----	--------	-------	----	--------	----

If the motor is also required, please specify:

Size es. 90 L4  
 Power es. Kw 1.5  
 Poles es. 4  
 Voltage es. V230/400  
 Frequency es. 50 Hz  
 Flange es. B14

N.B. From size 25 to 63 the gears are always supplied in the Universal position and can therefore be mounted in any position, from size 75 to size 130 if the position required differs from B3 it must be specified.

In particular, in the event that a gear in position B3 is to be mounted in positions V5 or V6, the bearing positioned in the upper side must be lubricated using suitable grease that ensures proper lubrication.

We have tested TecnoLubeseal POLYMER 400/2 grease.

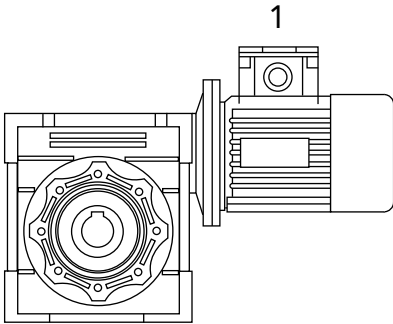
- 1) see page 26
- 2) see from page 31 to page 40
- 3) see from page 31 to page 40
- 4) see page 30
- 5) lack of instructions indicates that the gear is not equipped with an output flange.



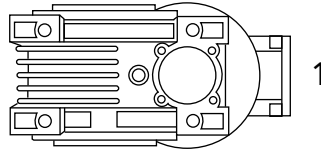


# MOUNTING POSITION

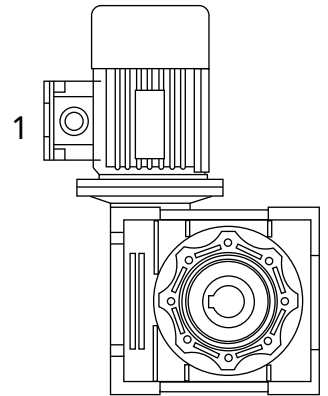
**B3**



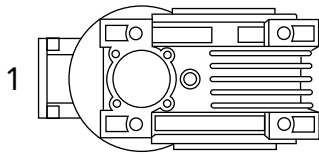
**B6**



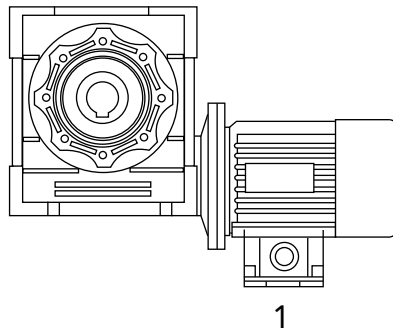
**V5**



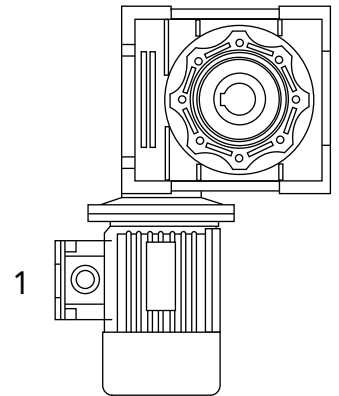
**B7**



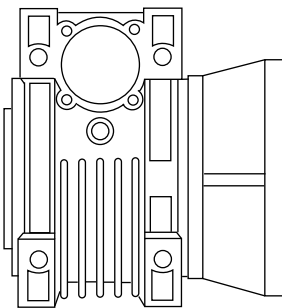
**B8**



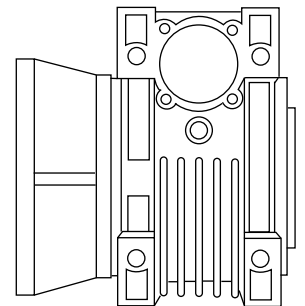
**V6**



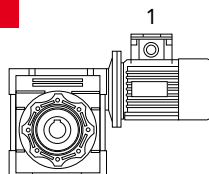
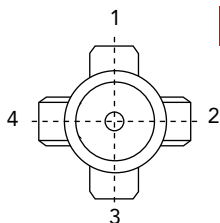
**F..1**



**F..2**



**B3**



### TERMINAL BOX POSITION

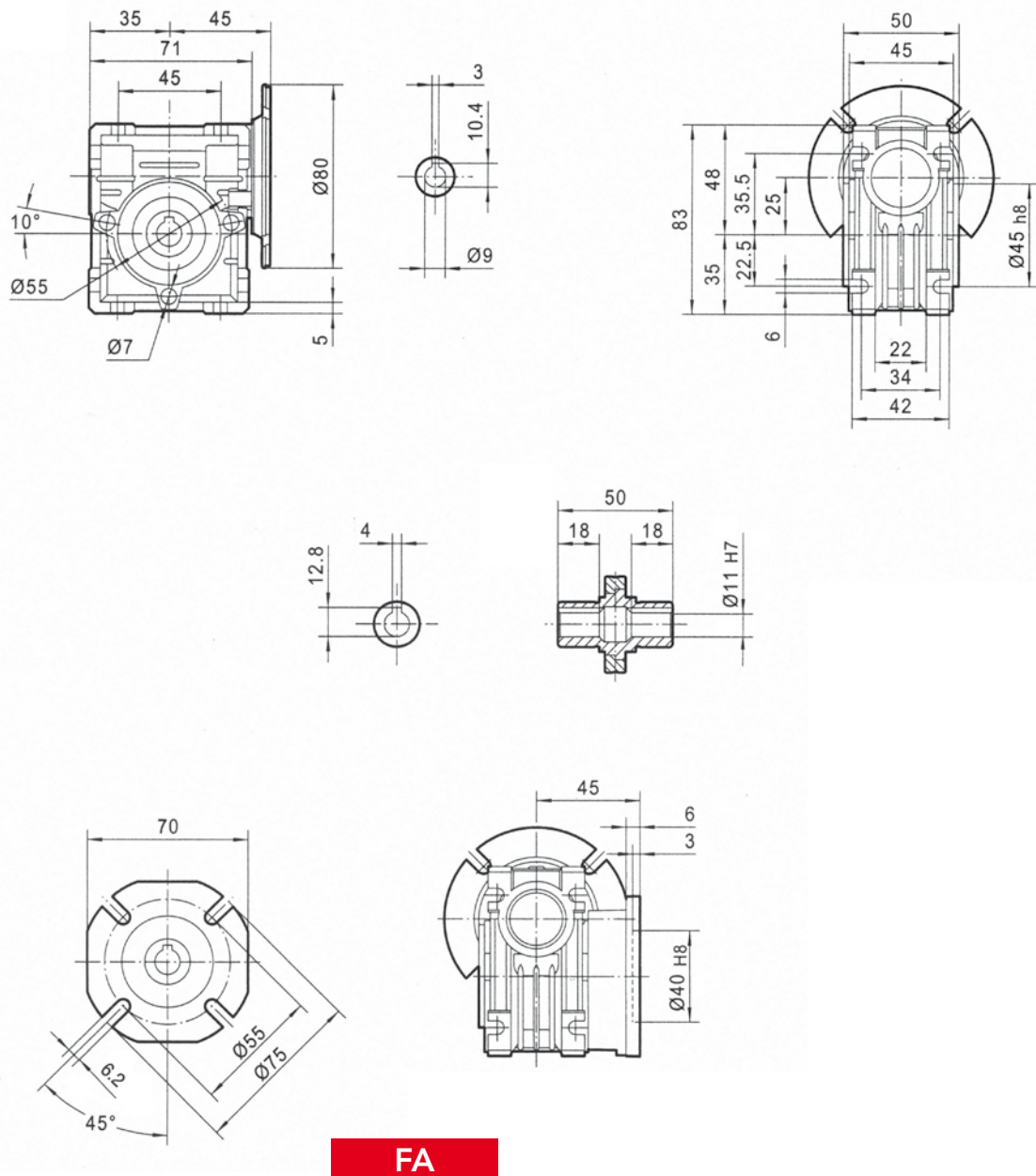
N.B. The position of the terminal box always refers to the B3 position.



# CHM 025 - PERFORMANCE WITH 4-POLE MOTORS 1400 REVS. INPUT

TYPE	i=ratio	n2 r/min	Kw=P1	Nm=T2	f.s.	Possible types of motor connections	
CHM 025	7.5	186.7	0.09	3.8	2.8	56	B14
	10	140.0	0.09	5	2.4	56	B14
	15	93.3	0.09	7.2	1.6	56	B14
	20	70.0	0.09	9	1.3	56	B14
	25	56.0	0.09	10	1.0	56	B14
	30	46.7	0.09	12.3	1.1	56	B14
	40	35.0	0.09	13	1.0	56	B14
	50	28.0	0.09	14	0.7	56	B14
	60	23.3	0.09	14	0.6	56	B14

## DIMENSIONS



Weight 0.7 Kg excluding motor

2D and 3D drawings available on the web site [www.chiaravalli.com](http://www.chiaravalli.com)

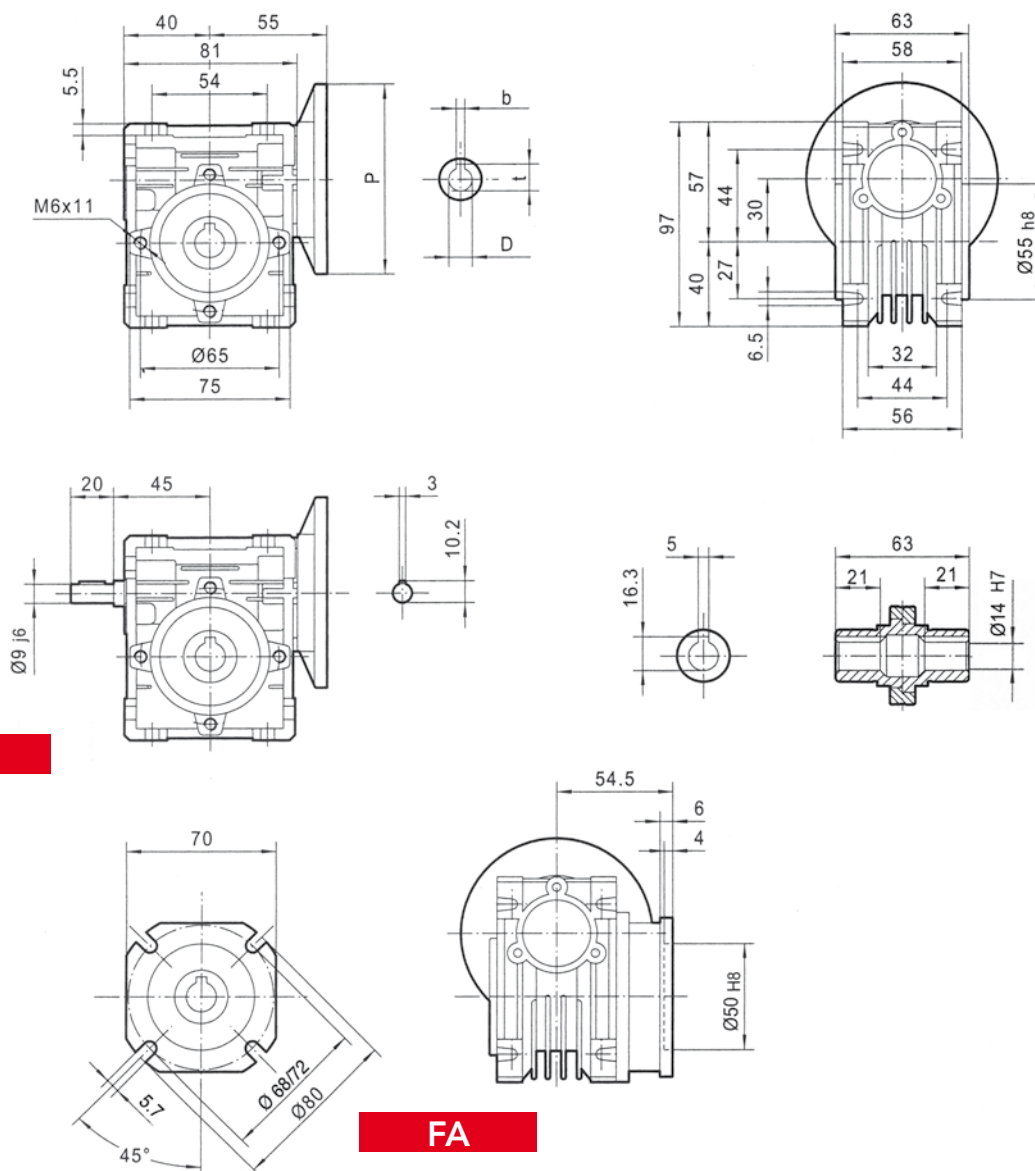
Quantity, availability and prices with Chiaravalli B2B



# CHM 030 - PERFORMANCE WITH 4-POLE MOTORS 1400 REVS. INPUT

TYPE	i=ratio	n2 r/min	Kw=P1	Nm=T2	f.s.	Possible types of motor connections	
CHM 030	7.5	186.7	0.22	9	2.1	63/56	B5/B14
	10	140.0	0.22	11	1.6	63/56	B5/B14
	15	93.3	0.22	16	1.0	63/56	B5/B14
	20	70.0	0.22	20	0.9	63/56	B5/B14
	25	56.0	0.18	20	1.0	63/56	B5/B14
	30	46.7	0.18	22	0.9	63/56	B5/B14
	40	35.0	0.18	21	0.8	63/56	B5/B14
	50	28.0	0.18	19	0.8	63/56	B5/B14
	60	23.3	0.09	18	0.9	56	B5/B14
	80	17.5	0.09	13	0.9	56	B5/B14

## DIMENSIONS



Weight 1.2 Kg excluding motor

PAM IEC	P	DE8	b	t
<b>63B5</b>	140	11	4	12.8
<b>56B5</b>	120	9	3	10.4

PAM IEC	P	DE8	b	t
<b>63B14</b>	90	11	4	12.8
<b>56B14</b>	80	9	3	10.4





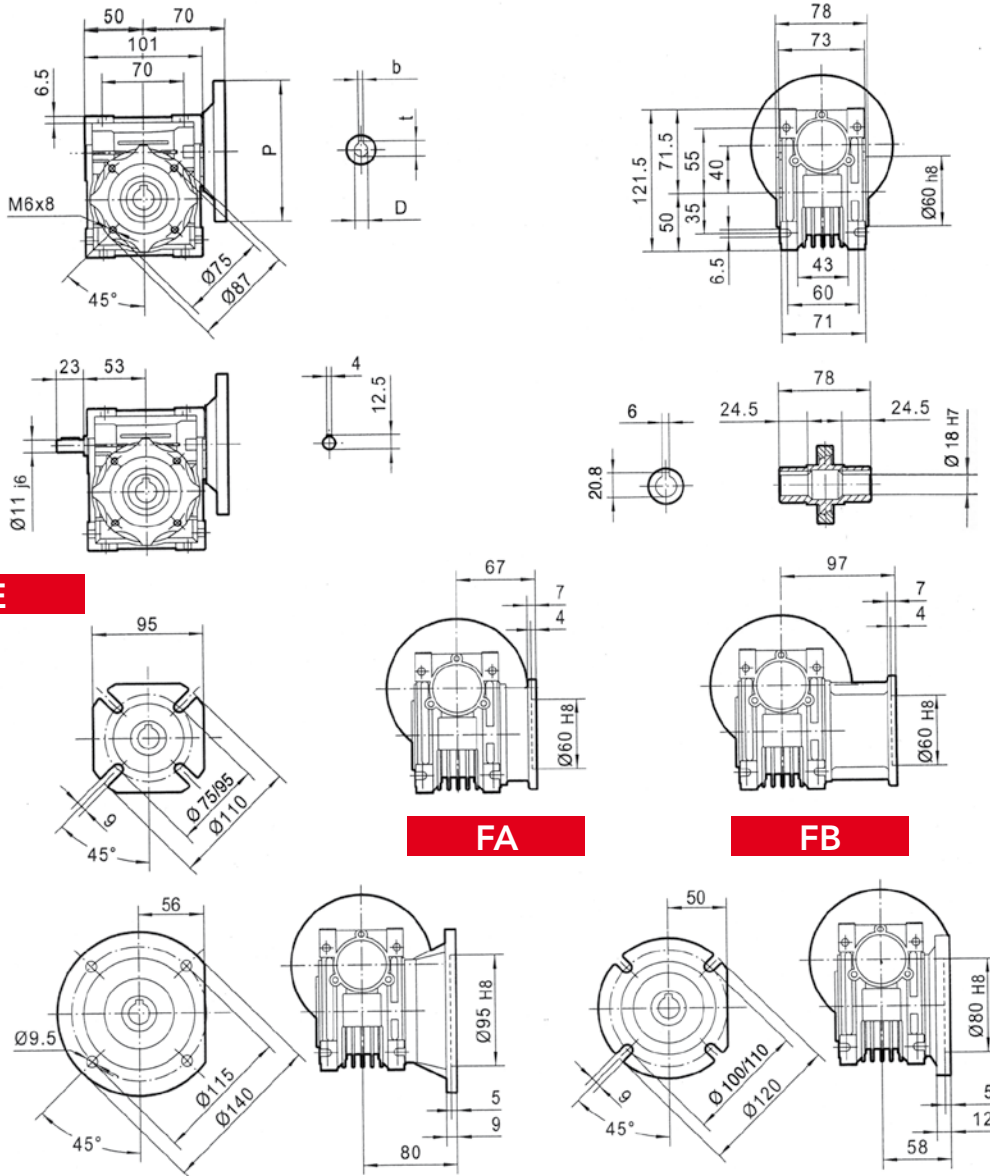
# CHM 040 - PERFORMANCE WITH 4-POLE MOTORS 1400 REVS. INPUT

TYPE	i=ratio	n2 r/min	Kw=P1	Nm=T2	f.s.	Possible types of motor connections	
CHM 040	7.5	186.7	0.55**	22	1.6	71/63	B5/B14
	10	140.0	0.55**	30	1.4	71/63	B5/B14
	15	93.3	0.55**	44	0.9	71/63	B5/B14
	20	70.0	0.55**	38	1.0	71/63	B5/B14
	25	56.0	0.37	45	0.9	71/63	B5/B14
	30	46.7	0.37	52	0.8	71/63	B5/B14
	40	35.0	0.25	43	0.9	71/63	B5/B14
	50	28.0	0.22	44	0.9	63/56	B5/B14*
	60	23.3	0.18	42	0.8	63/56	B5/B14*
	80	17.5	0.18	36	0.8	63/56	B5/B14*
100	14.0	0.18	35	0.8	63/56	B5/B14*	

\* 56 only B5

\*\* Size 71 Motors

## DIMENSIONS



PAM IEC	P	DE8	b	t
71B5	160	14	5	16.3
63B5	140	11	4	12.8
56B5	120	9	3	10.4

PAM IEC	P	DE8	b	t
71B14	105	14	5	16.3
63B14	90	11	4	12.8

Weight 2.3 Kg excluding motor



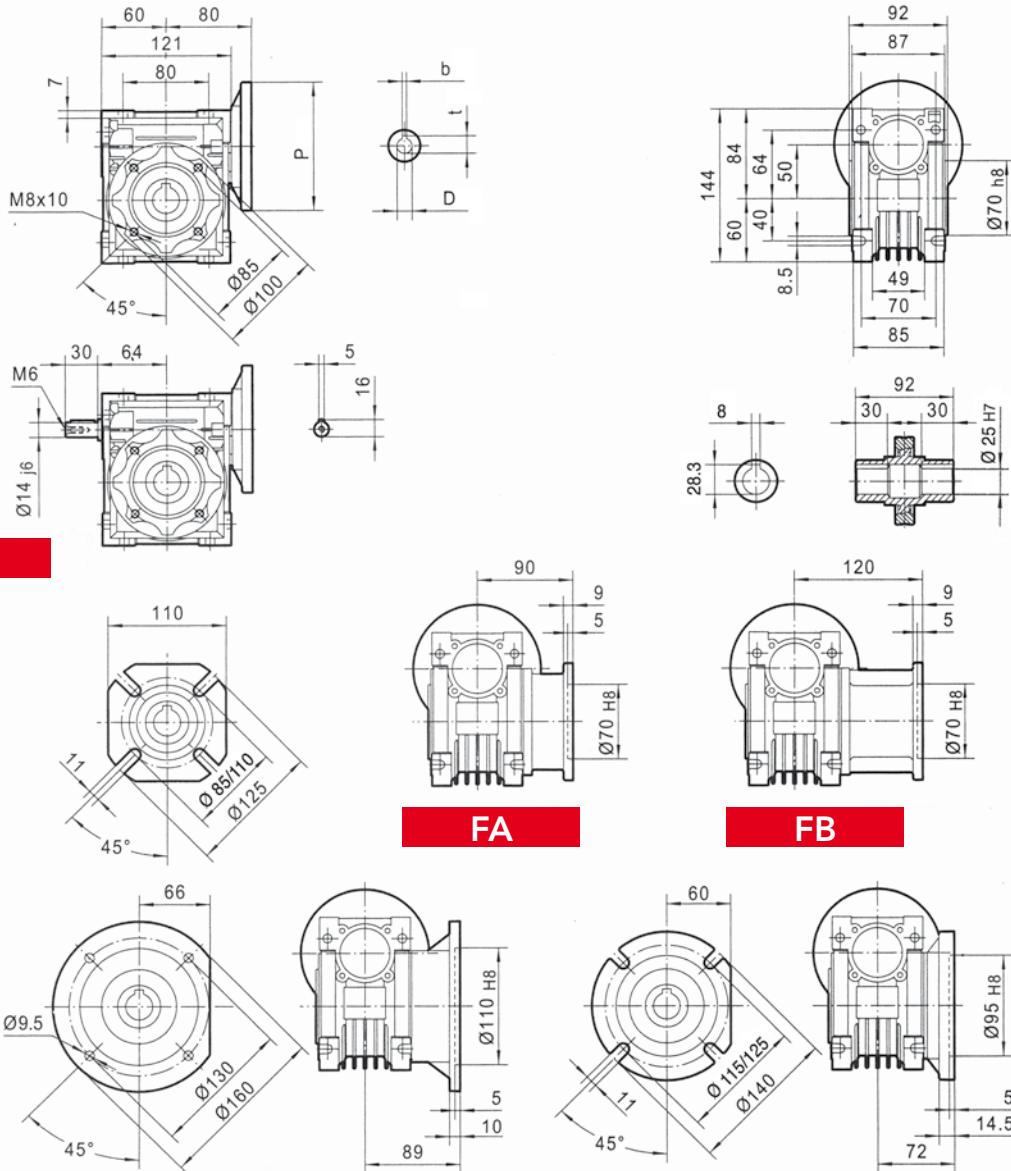
# CHM 050 - PERFORMANCE WITH 4-POLE MOTORS 1400 REVS. INPUT

**CHM 050**

TYPE	i=ratio	n2 r/min	Kw=P1	Nm=T2	f.s.	Possible types of motor connections	
	7.5	186.7	0.75	33.3	2.0	80/71	B5/B14
	10	140.0	0.75	43.9	1.6	80/71	B5/B14
	15	93.3	0.75	62.6	1.2	80/71	B5/B14
	20	70.0	0.75	80	0.9	80/71	B5/B14
	25	56.0	0.55	70	1.0	80/71	B5/B14
	30	46.7	0.55	80	1.0	80/71	B5/B14
	40	35.0	0.37	67	1.1	80/71/63	B5/B14*
	50	28.0	0.37	78	0.9	71/63	B5/B14*
	60	23.3	0.37	87	0.8	71/63	B5/B14*
	80	17.5	0.25	70	0.9	71/63	B5/B14*
	100	14.0	0.18	59	0.9	71/63	B5/B14*

\* 63 only B5

## DIMENSIONS



**E**

**FA**

**FB**

**FC**

**FD**

PAM IEC	P	DE8	b	t	PAM IEC	P	DE8	b	t
<b>80B5</b>	200	19	6	21.8	<b>80B14</b>	120	19	6	21.8
<b>71B5</b>	160	14	5	16.3	<b>71B14</b>	105	14	5	16.3
<b>63B5</b>	140	11	4	12.8					

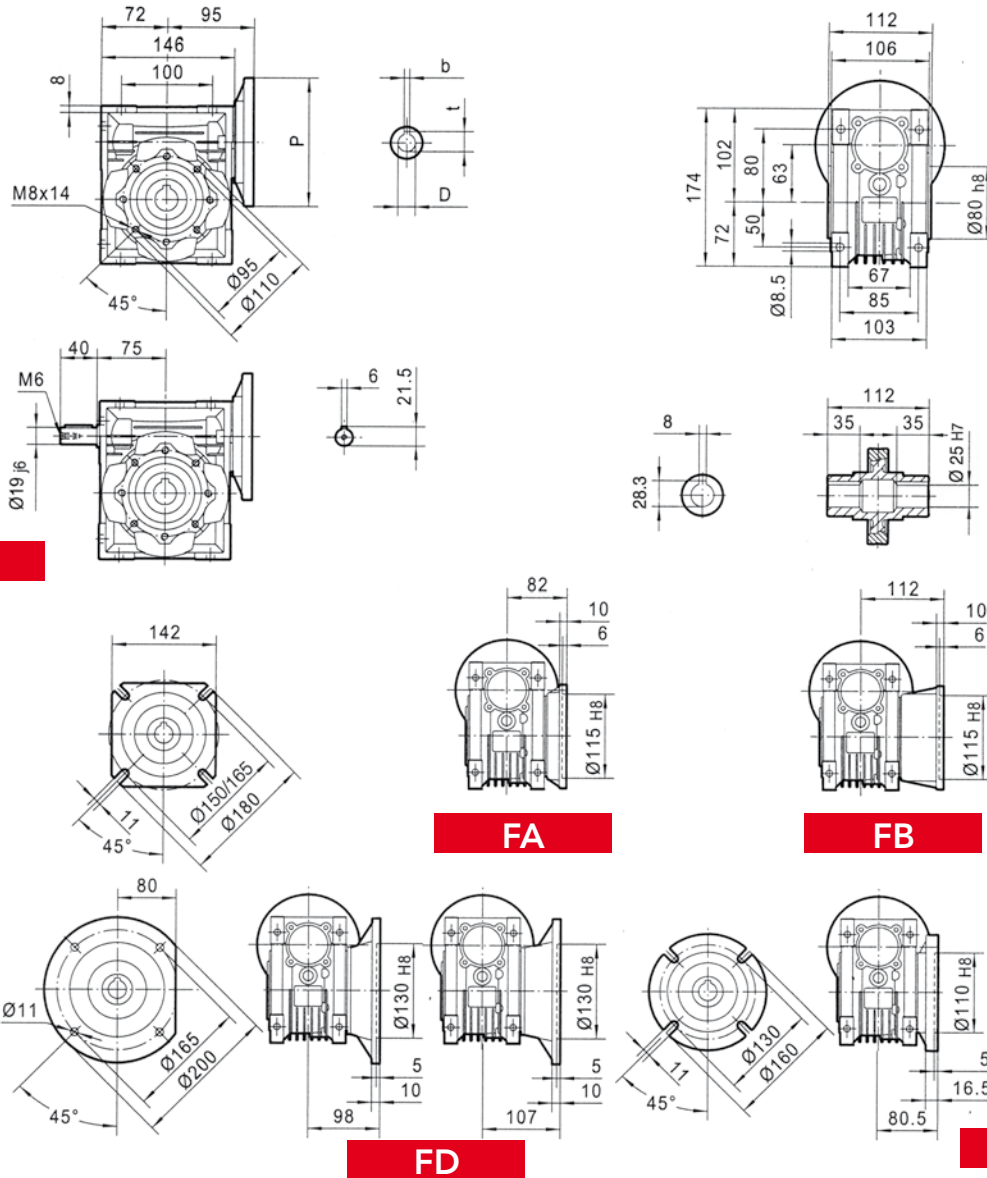
Weight 3.5 Kg excluding motor



# CHM 063 - PERFORMANCE WITH 4-POLE MOTORS 1400 REVS. INPUT

TYPE	i=ratio	n2 r/min	Kw=P1	Nm=T2	f.s.	Possible types of motor connections	
CHM 063	7.5	186.7	1.50	67.4	1.8	90/80	B5/B14
	10	140.0	1.50	88.6	1.4	90/80	B5/B14
	15	93.3	1.50	126	1.19	90/80	B5/B14
	20	70.0	1.50	164	0.8	90/80	B5/B14
	25	56.0	1.10	145	0.9	90/80	B5/B14
	30	46.7	1.10	165	1.0	90/80	B5/B14
	40	35.0	0.75	143	1.0	80/71	B5/B14
	50	28.0	0.55	122	1.1	80/71	B5/B14
	60	23.3	0.55	138	0.9	80/71	B5/B14
	80	17.5	0.37	114	1.1	80/71	B5/B14
100	14.0	0.37	127	0.9	71	B5/B14	

## DIMENSIONS



PAM IEC	P	DE8	b	t	PAM IEC	P	DE8	b	t
90B5	200	24	8	27.3	90B14	140	24	8	27.3
80B5	200	19	6	21.8	80B14	120	19	6	21.8
71B5	160	14	5	16.3	71B14	105	14	5	16.3

Weight 6.2 Kg excluding motor

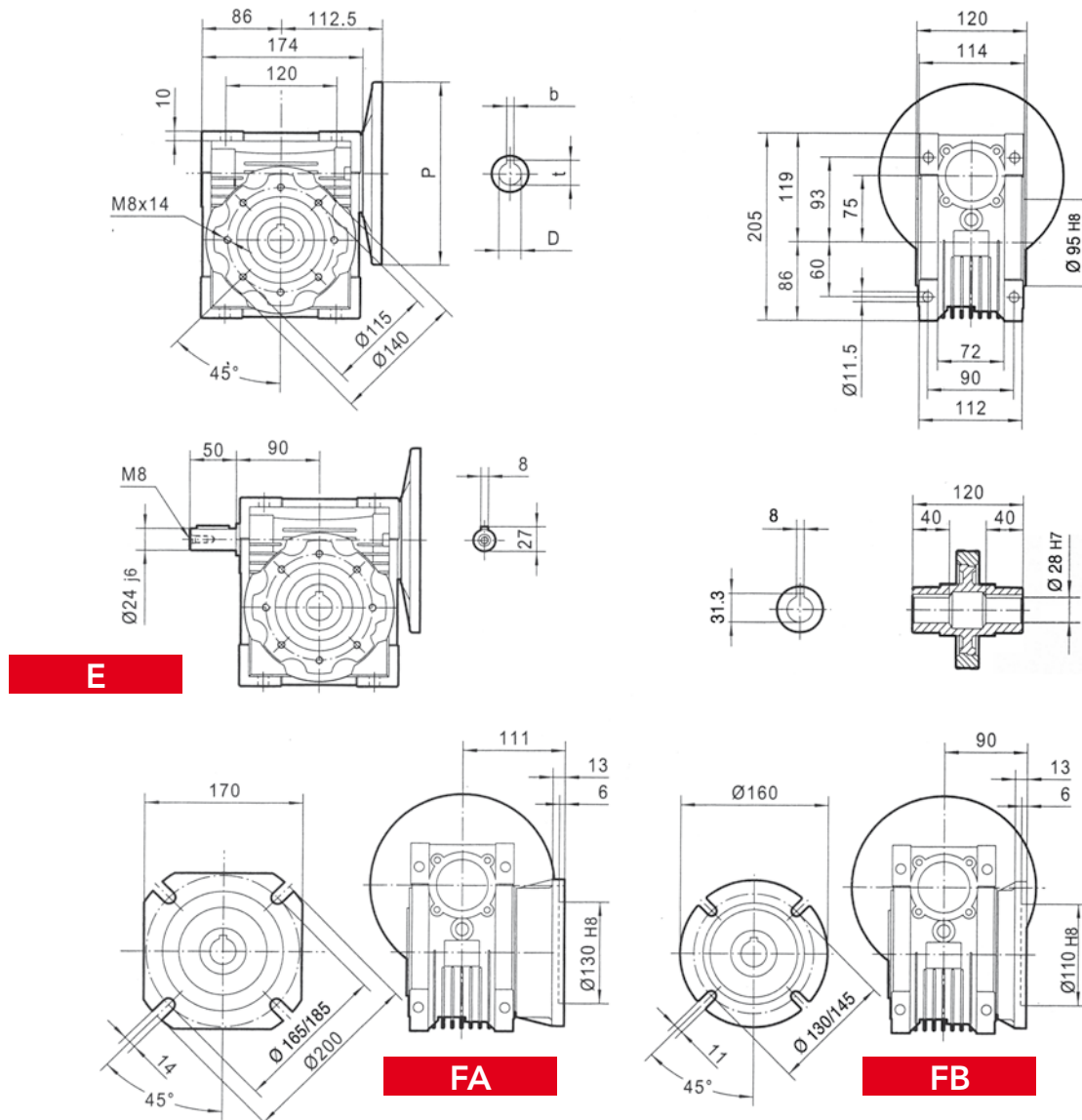


# CHM 075 - PERFORMANCE WITH 4-POLE MOTORS 1400 REVS. INPUT

TYPE	i=ratio	n2 r/min	Kw=P1	Nm=T2	f.s.	Possible types of motor connections	
CHM 075	7.5	186.7	4.00	180	1.0	100/90	B5/B14
	10	140.0	4.00	237	0.8	100/90	B5/B14
	15	93.3	3.00	260	0.8	100/90	B5/B14
	20	70.0	1.50	167	1.2	90/80	B5/B14
	25	56.0	1.50	204	1.0	90/80	B5/B14
	30	46.7	1.50	232	1.0	90/80	B5/B14
	40	35.0	1.10	214	1.0	90/80	B5/B14
	50	28.0	0.75	176	1.2	90/80/71	B5/B14*
	60	23.3	0.75	199	1.0	80/71	B5/B14*
	80	17.5	0.55	178	1.1	80/71	B5/B14*
	100	14.0	0.55	203	0.9	80/71	B5/B14*

\* 71 only B5

## DIMENSIONS



Weight 9 Kg excluding motor

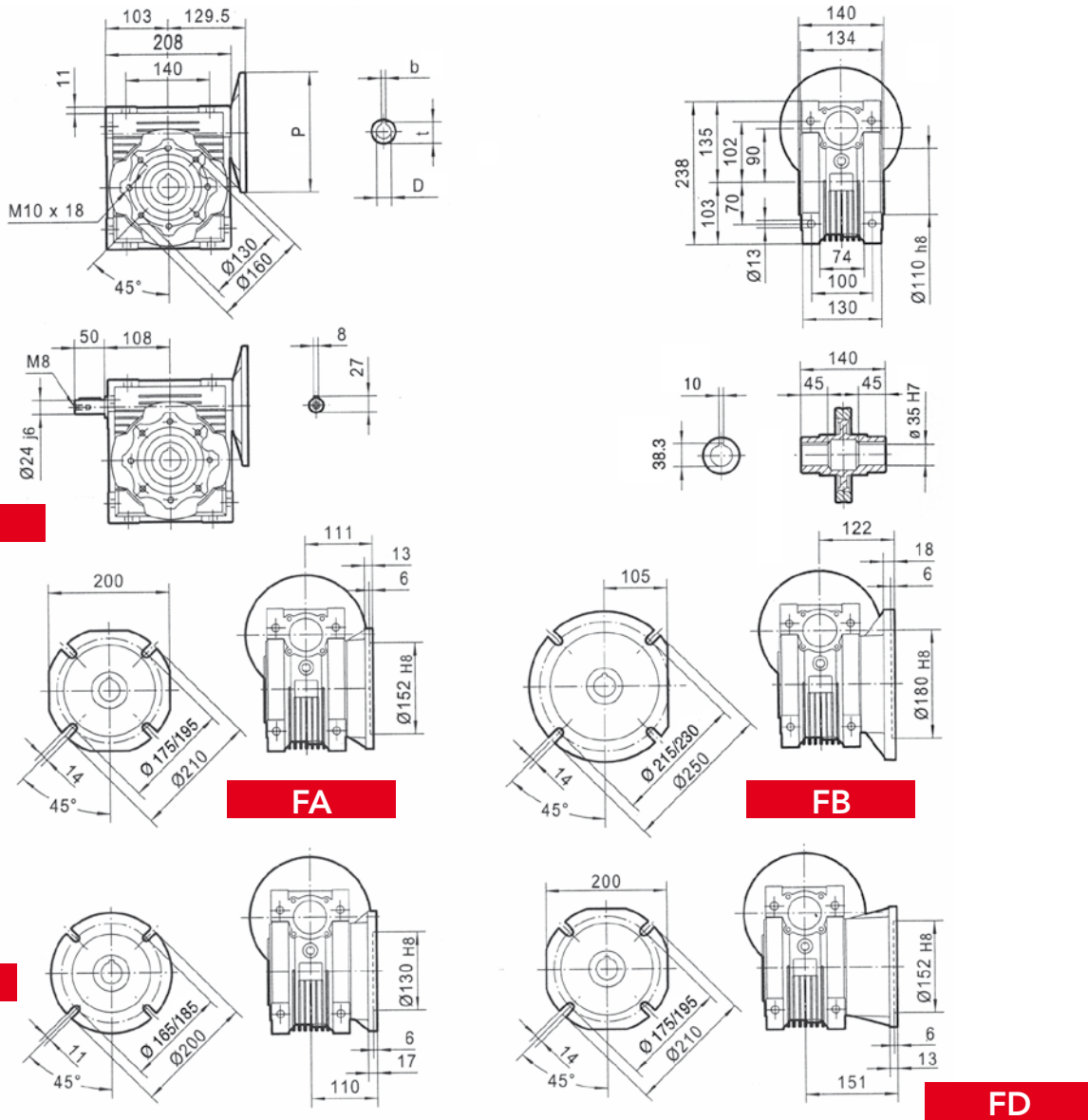
PAM IEC	P	DE8	b	t	PAM IEC	P	DE8	b	t
100/112B5	250	28	8	31.3	100/112B14	160	28	8	31.3
90B5	200	24	8	27.3	90B14	140	24	8	27.3
80B5	200	19	6	21.8	80B14	120	19	6	21.8
71B5	160	14	5	16.3					



# CHM 090 - PERFORMANCE WITH 4-POLE MOTORS 1400 REVS. INPUT

TYPE	i=ratio	n2 r/min	Kw=P1	Nm=T2	f.s.	Possible types of motor connections	
CHM 090	7.5	186.7	4.00	184	1.5	100/90	B5/B14
	10	140.0	4.00	242	1.3	100/90	B5/B14
	15	93.3	4.00	351	1.1	100/90	B5/B14
	20	70.0	4.00	456	0.8	100/90	B5/B14
	25	56.0	3.00	417	0.8	100/90	B5/B14
	30	46.7	3.00	478	0.9	100/90	B5/B14
	40	35.0	1.50	306	1.2	90/80	B5/B14
	50	28.0	1.50	367	1.0	90/80	B5/B14
	60	23.3	1.50	421	0.8	90/80	B5/B14
	80	17.5	0.75	257	1.1	80	B5/B14
100	14.0	0.75	300	0.9	80	B5/B14	

## DIMENSIONS



PAM IEC	P	D <sub>E8</sub>	b	t	PAM IEC	P	D <sub>E8</sub>	b	t
100/112B5	250	28	8	31.3	100/112B14	160	28	8	31.3
90B5	200	24	8	27.3	90B14	140	24	8	27.3
80B5	200	19	6	21.8	80B14	120	19	6	21.8

Weight 13 Kg excluding motor





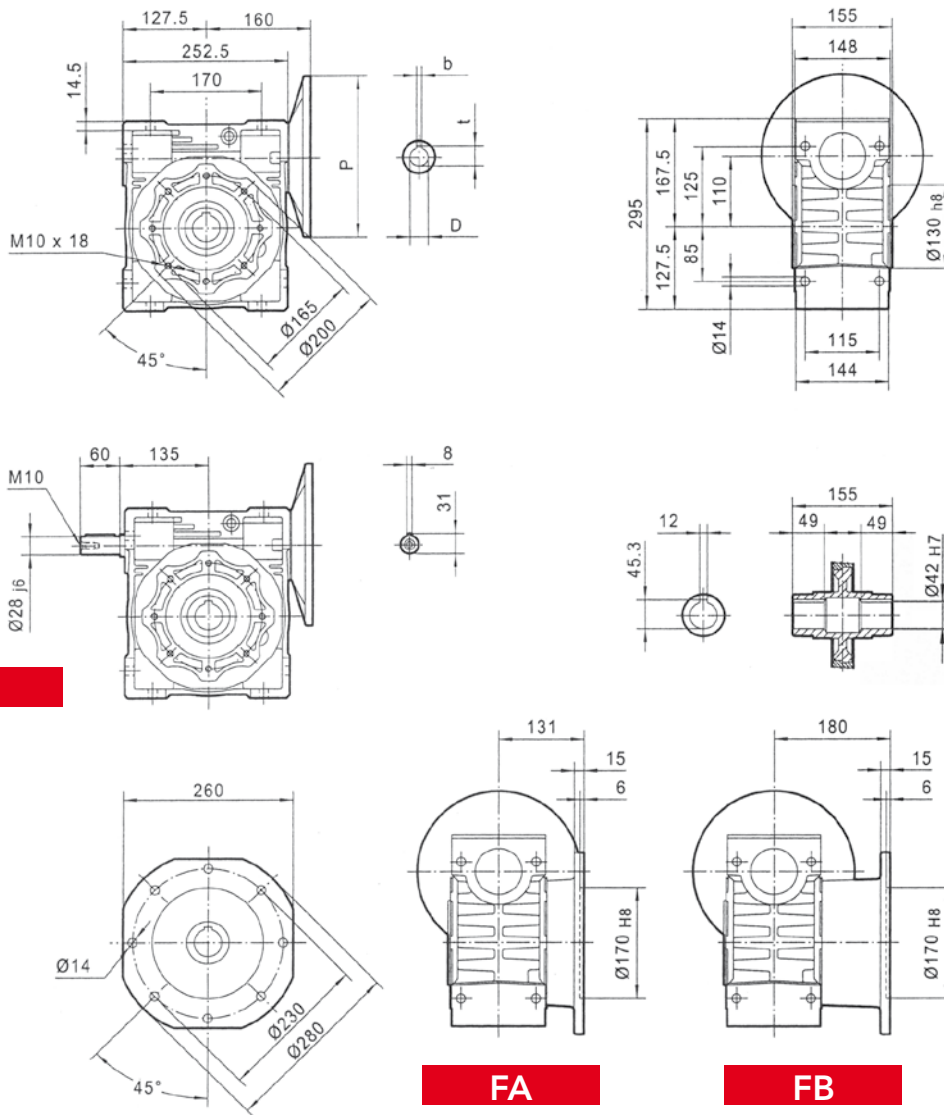
# CHM 110 - PERFORMANCE WITH 4-POLE MOTORS 1400 REVS. INPUT

**CHM 110**

TYPE	i=ratio	n2 r/min	Kw=P1	Nm=T2	f.s.	Possible types of motor connections	
	7.5	186.7	7.50	344	1.6	132/112/100	B5/B14
	10	140.0	7.50	453	1.3	132/112/100	B5/B14
	15	93.3	7.50	659	1.0	132/112/100	B5/B14
	20	70.0	5.50	635	1.0	132/112/100	B5/B14
	25	56.0	4.00	573	1.2	112/100	B5/B14
	30	46.7	4.00	645	1.1	112/100	B5/B14
	40	35.0	3.00	636	1.1	112/100/90	B5/B14*
	50	28.0	3.00	764	0.9	112/100/90	B5/B14*
	60	23.3	2.20	645	1.0	112/100/90	B5/B14*
	80	17.5	1.50	546	0.9	90	B5/B14*
	100	14.0	1.10	470	1.0	90	B5/B14*

\* 90 only B5

## DIMENSIONS



**E**

**FA**

**FB**

PAM IEC	P	DE8	b	t
<b>132B5</b>	300	38	10	41.3
<b>112B5</b>	250	28	8	31.3
<b>100B5</b>	250	28	8	31.3
<b>90B5</b>	200	24	8	27.3
<b>80B5</b>	200	19	6	21.8

PAM IEC	P	DE8	b	t
<b>132B14</b>	200	38	10	41.3
<b>112B14</b>	160	28	8	31.3
<b>100B14</b>	160	28	8	31.3

Weight 35 Kg excluding motor

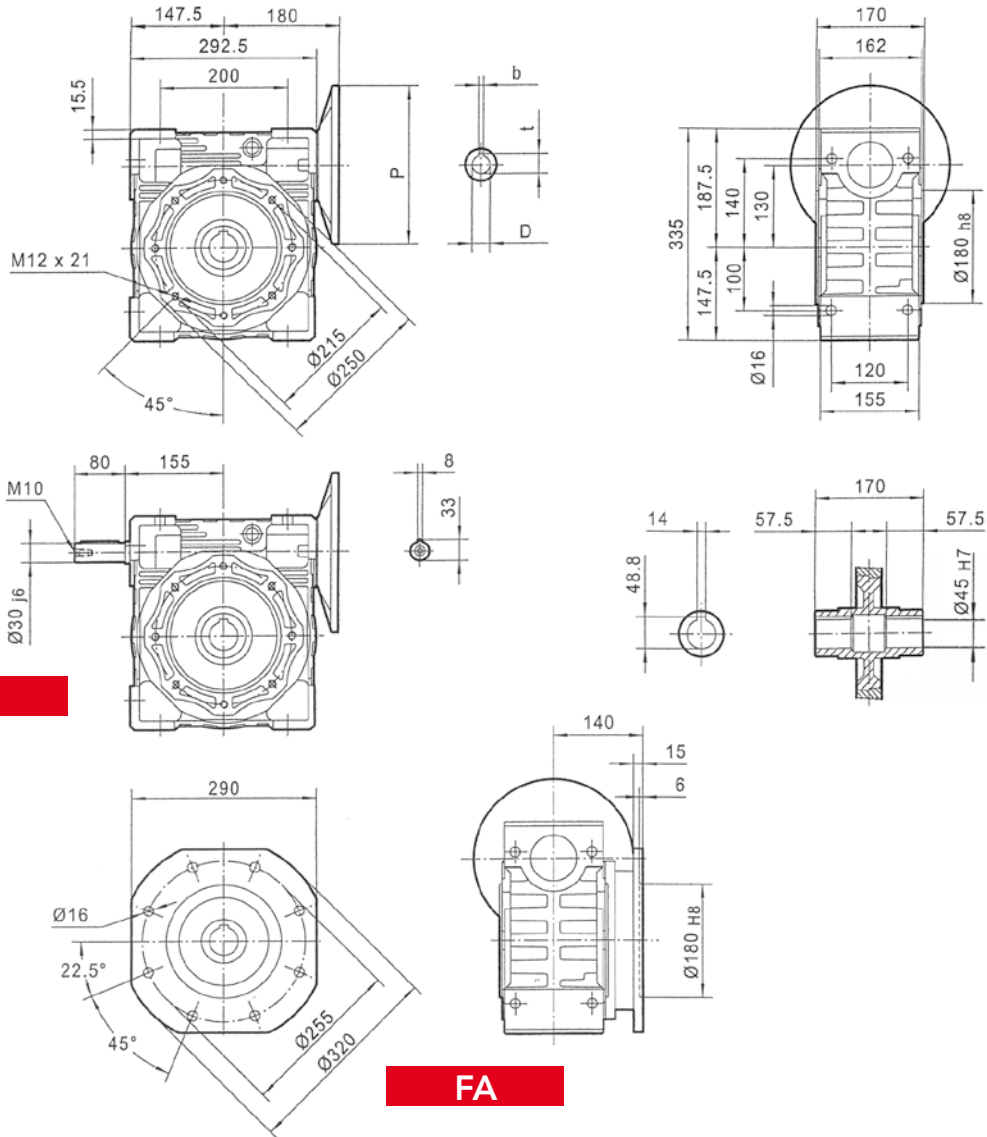


# CHM 130 - PERFORMANCE WITH 4-POLE MOTORS 1400 REVS. INPUT

TYPE	i=ratio	n2 r/min	Kw=P1	Nm=T2	f.s.	Possible types of motor connections	
<b>CHM 130</b>	7.5	186.7	7.50	348	2.2	132	B5/B14
	10	140.0	7.50	455	1.8	132	B5/B14
	15	93.3	7.50	660	1.2	132	B5/B14
	20	70.0	7.50	877	1.0	132	B5/B14
	25	56.0	7.50	1071	0.9	132	B5/B14
	30	46.7	7.50	1225	0.8	132/112/100	B5/B14
	40	35.0	5.50	1173	0.9	132/112/100	B5/B14
	50	28.0	4.00	1023	0.9	100	B5/B14
	60	23.3	3.00	886	1.1	100	B5/B14
	80	17.5	3.00	1112	0.8	100/90	B5/B14*
100	14.0	1.50	652	1.1	100/90	B5/B14*	

\* 90 only B5

## DIMENSIONS



PAM IEC	P	DE8	b	t	PAM IEC	P	DE8	b	t
<b>132B5</b>	300	38	10	41.3	<b>132B14</b>	200	38	10	41.3
<b>112B5</b>	250	28	8	31.3	<b>112B14</b>	160	28	8	31.3
<b>100B5</b>	250	28	8	31.3	<b>100B14</b>	160	28	8	31.3
<b>90B5</b>	200	24	8	27.3					

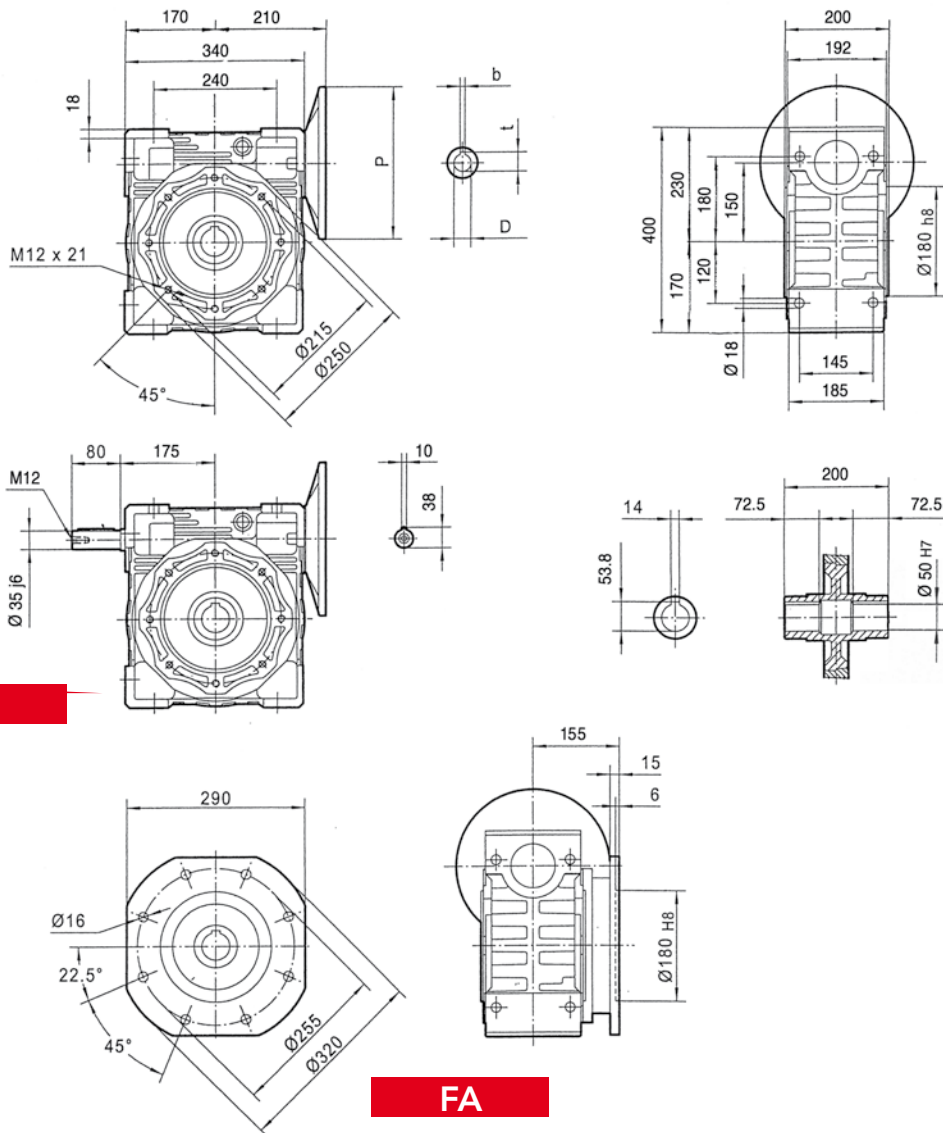
Weight 48 Kg excluding motor



# CHM 150 - PERFORMANCE WITH 4-POLE MOTORS 1400 REVS. INPUT

TYPE	i=ratio	n2 r/min	Kw=P1	Nm=T2	f.s.	Possible types of motor connections	
CHM 150	7.5	186.7	15	680	1.6	160	B5
	10	140.0	15	905	1.2	160	B5
	15	93.3	15	1310	0.9	160	B5
	20	70.0	11	1270	1.0	160	B5
	25	56.0	11	1520	0.8	160	B5
	30	46.7	7.50	1240	0.8	132	B5
	40	35.0	7.50	1560	0.9	132	B5
	50	28.0	5.50	1405	0.9	132	B5
	60	23.3	5.50	1610	0.8	132	B5
	80	17.5	4	1430	0.8	112/100	B5
100	14.0	3	1300	0.8	112/100	B5	

## DIMENSIONS

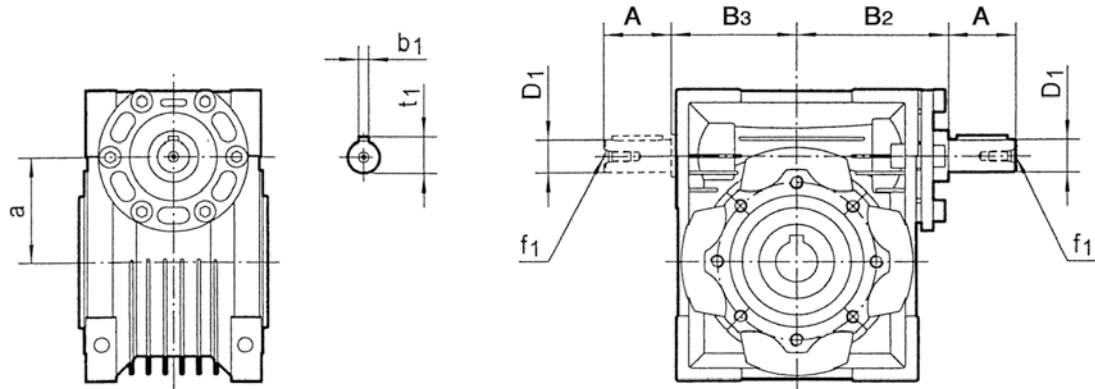


PAM IEC	P	D <sub>E8</sub>	b	t
160B5	350	42	12	45.3
132B5	300	38	10	41.3
112B5	250	28	8	31.3
100B5	250	28	8	31.3

Weight 84 Kg excluding motor



CHMR	030	040	050	063	075	090	110	130	150
<b>A</b>	20	23	30	40	50	50	60	80	80
<b>D1 j6</b>	9	11	14	19	24	24	28	30	35
<b>B2</b>	51	60	74	90	105	125	142	162	195
<b>B3</b>	45	53	64	75	90	108	135	155	175
<b>a</b>	30	40	50	63	75	90	110	130	150
<b>b1</b>	3	4	5	6	8	8	8	8	10
<b>f1</b>	-	-	M6	M6	M8	M8	M10	M10	M12
<b>t1</b>	10.2	12.5	16	21.5	27	27	31	33	38



For the missing dimensions, please refer to the CHM correspondent



# CHPC/CHM - WORM GEAR WITH PRE-STAGE MODULE



## DESIGNATION CHPC/CHM - CHME

TYPE	SIZE	i =	M.M.F.	MOUNT. POS
CHPC	63	3	63B5	If supplied coupled with CHM or CHME types specify the position of these, when the pre-stage module is supplied by itself it is prepared for universal assembly.
	71	3	71B5	
	80	3	80B5	
	90	2.45	90B5	

## ORDER EXAMPLE FOR A CHPC COUPLED TO A CHM OR CHME GEAR

CHPC	90	CHM	110	i=245 (2.45x100)	M.M.F.	90B5	POS. B3
------	----	-----	-----	------------------	--------	------	---------

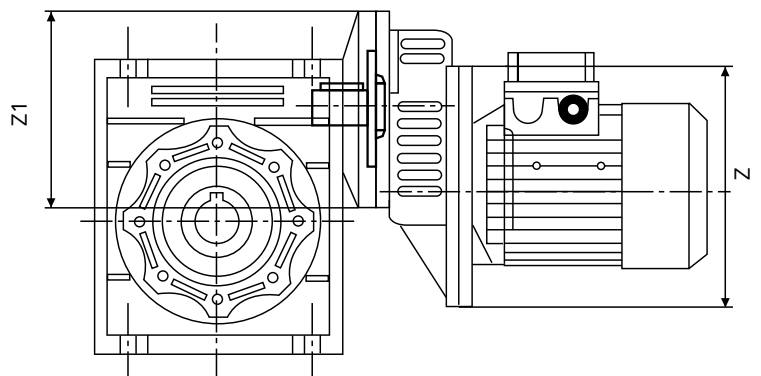
If the motor is also required, please specify:

Size es. 90 L4  
 Power es. Kw 1.5  
 Poles es. 4  
 Voltage es. V230/400  
 Frequency es. 50 Hz  
 Flange es. B5

N.B. From size 25 to 63 the gears are always supplied in the Universal position and can therefore be mounted in any position, from size 75 to size 130 if the position required differs from B3 it must be specified.  
 In particular, in the event that a gear in position B3 is to be mounted in positions V5 or V6, the bearing positioned in the upper side must be lubricated using suitable grease that ensures proper lubrication.  
 We have tested TecnoLubeseal POLYMER 400/2 grease.

	Z	Z1
CHPC 63	11/140	11/105
CHPC 71	14/160	14/120
CHPC 80	19/200	19/160
CHPC 90	24/200	24/160

**ATTENZIONE:** The gearbox connected with the pre-stage must have input dimension Z1







# CHPC/CHM - PERFORMANCE WITH 4-POLE MOTORS 1400 REVS. INPUT

TYPE	i=ratio	n2 r/min	Kw=P1	Nm=T2
	90	15.6	0.18	61
	120	11.7	0.18	52
<b>CHPC63</b>	150	9.3	0.18	46
<b>CHM040</b>	180	7.8	0.18	46
	240	5.8	0.18	40
	300	4.7	0.18	36

TYPE	i=ratio	n2 r/min	Kw=P1	Nm=T2
	90	15.6	0.37	153
	120	11.7	0.37	190
<b>CHPC71</b>	150	9.3	0.37	220
<b>CHM075</b>	180	7.8	0.37	236
	240	5.8	0.25	208
	300	4.7	0.25	210

TYPE	i=ratio	n2 r/min	Kw=P1	Nm=T2
	90	15.6	0.18	69
	120	11.7	0.18	85
<b>CHPC63</b>	150	9.3	0.18	89
<b>CHM050</b>	180	7.8	0.18	88
	240	5.8	0.18	76
	300	4.7	0.18	65

TYPE	i=ratio	n2 r/min	Kw=P1	Nm=T2
	90	15.6	0.75	307
	120	11.7	0.55	278
<b>CHPC80</b>	150	9.3	0.55	260
<b>CHM075</b>				

TYPE	i=ratio	n2 r/min	Kw=P1	Nm=T2
	90	15.6	0.25	97
	120	11.7	0.25	110
<b>CHPC71</b>				
<b>CHM050</b>	150	9.3	0.25	112

TYPE	i=ratio	n2 r/min	Kw=P1	Nm=T2
	180	7.8	0.37	260
<b>CHPC71</b>	240	5.8	0.37	320
<b>CHM090</b>	300	4.7	0.37	345

TYPE	i=ratio	n2 r/min	Kw=P1	Nm=T2
	150	9.3	0.18	101
<b>CHPC63</b>	180	7.8	0.18	115
<b>CHM063</b>	240	5.8	0.18	136
	300	4.7	0.18	121

TYPE	i=ratio	n2 r/min	Kw=P1	Nm=T2
	90	15.6	0.75	320
<b>CHPC80</b>	120	11.7	0.75	397
<b>CHM090</b>	150	9.3	0.75	426
	180	7.8	0.75	425
	240	5.8	0.55	374

TYPE	i=ratio	n2 r/min	Kw=P1	Nm=T2
	90	15.6	0.37	145
	90	15.6	0.25	98
<b>CHPC71</b>	120	11.7	0.37	184
<b>CHM063</b>	120	11.7	0.25	124
	150	9.3	0.37	192
	150	9.3	0.25	129
	180	7.8	0.25	164
	240	5.8	0.25	139
	300	4.7	0.25	128

TYPE	i=ratio	n2 r/min	Kw=P1	Nm=T2
	120	11.7	0.75	421
<b>CHPC80</b>	150	9.3	0.75	496
<b>CHM110</b>	180	7.8	0.75	569
	240	5.8	0.75	617
	300	4.7	0.55	585

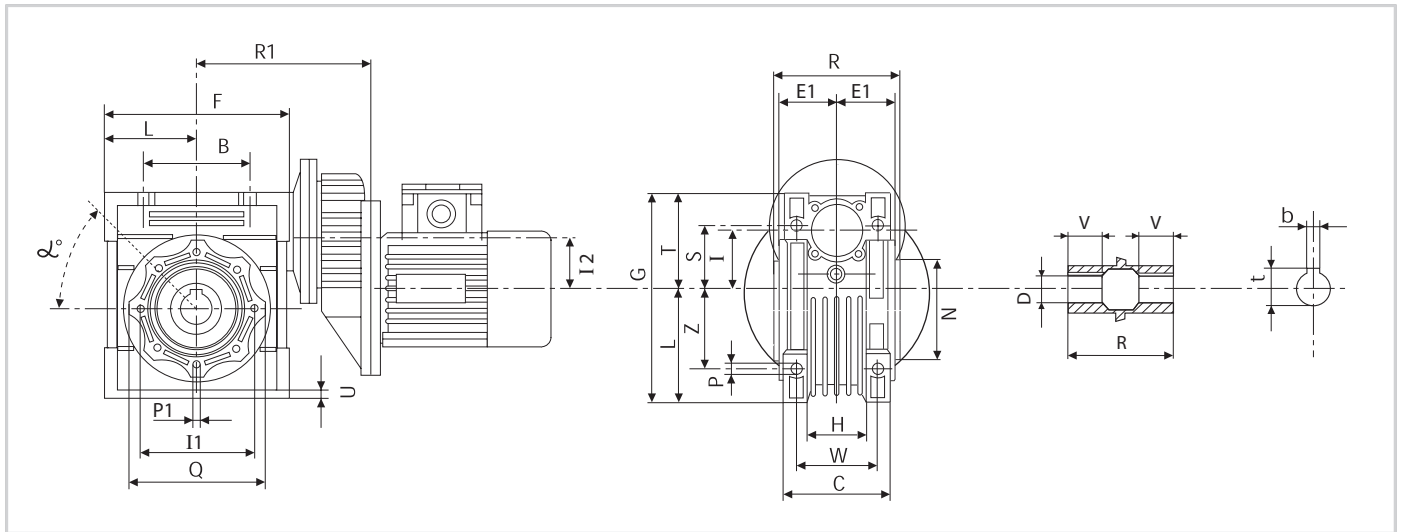
TYPE	i=ratio	n2 r/min	Kw=P1	Nm=T2
	98	14.3	1.50	679
<b>CHPC90</b>	122.5	11.4	1.50	801
<b>CHM110</b>	147	9.5	1.50	810
	147	9.5	1.10	595
	196	7.1	1.10	660

TYPE	i=ratio	n2 r/min	Kw=P1	Nm=T2
	98	14.3	1.50	679
<b>CHPC90</b>	122.5	11.4	1.50	813
<b>CHM130</b>	147	9.5	1.50	917
	196	7.1	1.50	1013
	245	5.7	1.10	848

The choice of power installed is tied to the unification of the motors, therefore it is sometimes in exuberance compared to the gear; always verify the maximum torque indicated when making the selection and if in doubt please contact our technical office.



# CHPC/CHM - DIMENSIONS



CHPC CHM	B	F	D(H7)	G	H	R1	R	L	I	I2	C	I1	N(h8)	E1	P	Q	S	T
<b>63+040</b>	70	100	18	121.5	43	117	78	50	40	40	71	75	60	36.5	6.5	87	55	71.5
<b>63+050</b>	80	120	25	144	49	127	92	60	50	40	85	85	70	43.5	8.5	100	64	84
<b>71+050</b>	80	120	25	144	49	135	92	60	50	50	85	85	70	43.5	8.5	100	64	84
<b>63+063</b>	100	144	25	174	67	142	112	72	63	40	103	95	80	53	8.5	110	80	102
<b>71+063</b>	100	144	25	174	67	150	112	72	63	50	103	95	80	53	8.5	110	80	102
<b>71+075</b>	120	172	28	205	72	167,5	120	86	75	50	112	115	95	57	11	140	93	119
<b>80+075</b>	120	172	28	205	72	187,5	120	86	75	63	112	115	95	57	11	140	93	119
<b>71+090</b>	140	208	35	238	74	184,5	140	103	90	50	130	130	110	67	13	160	102	135
<b>80+090</b>	140	208	35	238	74	204,5	140	103	90	63	130	130	110	67	13	160	102	135
<b>80(90)+110</b>	170	252.5	42	295	-	235	155	127.5	110	63	144	165	130	74	14	200	125	167.5
<b>80(90)+130</b>	200	292.5	45	335	-	255	170	147.5	130	63	155	215	180	81	16	250	140	187.5

CHPC CHM	U	V	Z	W	P1	$\alpha$	b	t	Weight in kg. excluding motor
<b>63+040</b>	6.5	26	35	60	M6x8n.4	45°	6	20.8	3.9
<b>63+050</b>	7	30	40	70	M8x10n.4	45°	8	28.3	5.2
<b>71+050</b>	7	30	40	70	M8x10n.4	45°	8	28.3	5.8
<b>63+063</b>	8	36	50	85	M8x14n.8	45°	8	28.3	7.9
<b>71+063</b>	8	36	50	85	M8x14n.8	45°	8	28.3	8.5
<b>71+075</b>	10	40	60	90	M8x14n.8	45°	8	31.3	11
<b>80+075</b>	10	40	60	90	M8x14n.8	45°	8	31.3	12.6
<b>71+090</b>	11	45	70	100	M10x18n.8	45°	10	38.3	14.3
<b>80+090</b>	11	45	70	100	M10x18n.8	45°	10	38.3	16.2
<b>80(90)+110</b>	14	50	85	115	M10x18n.8	45°	12	45.3	39
<b>80(90)+130</b>	15	60	100	120	M12x21n.8	45°	14	48.8	67.2

N.B. For the side flange and double extended input worm dimensions see the corresponding size of the CHM series. See pages 34 and 35.

2D and 3D drawings available on the web site [www.chiaravalli.com](http://www.chiaravalli.com)

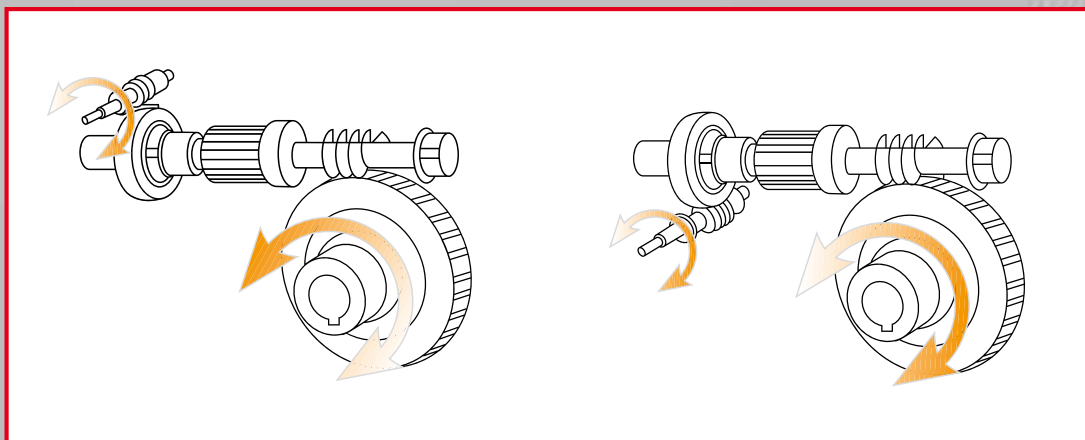
Quantity, availability and prices with Chiaravalli B2B



# CHM/CHM-CHME - CHMR/CHM-CHME DOUBLE WORM GEAR



## DIRECTION OF ROTATION





## CHM/CHMR/CHME/CHMRE DESIGNATION

TYPE	SIZE (1)	VERSION (2)	FLANGE POS. (3)	i	EXEC. (4)	M.M.F.	MOUNT. POS. (3)
CHM/CHM	025/030	FA	1	300	OAD		U
CHM/CHME	030/040	FB	2	400	OAS		B3
CHMR/CHM	030/050	FC		500	OBD		B8
CHMR/CHME	030/063	FD		600	OBS	<b>SEE FROM PAGE 31 TO PAGE 35</b>	B6
	040/075	FE		750	VAD		B7
	040/090			900	VAS		V5
	050/110			1200	VBD		V6
	063/130			1500	VBS		
				1800			
				2400			

For the motor mounting flanges (M.M.F.) see the table showing the types available. For the executions see the table with drawings, if not specified OBS would be supplied. The mounting position refers to the second gear.



## ORDER EXAMPLE

CHM/CHM	040/090	FA(5)	2(5)	500	OAD	63 B14	V5
---------	---------	-------	------	-----	-----	--------	----

If the motor is also required, please specify:

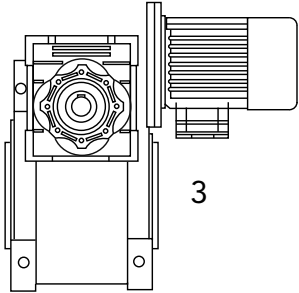
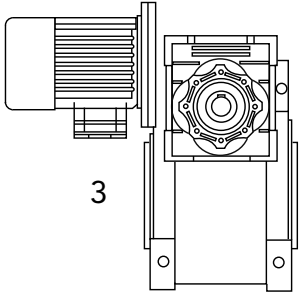
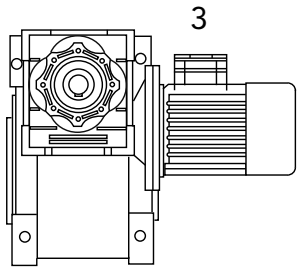
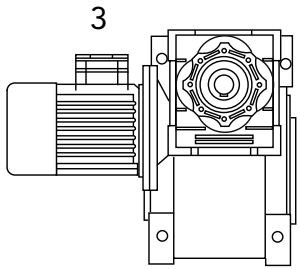
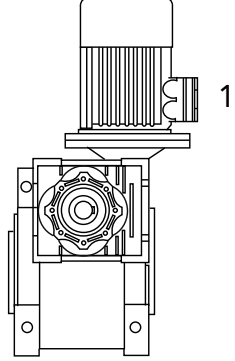
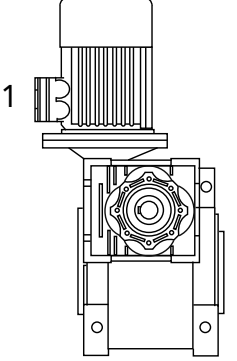
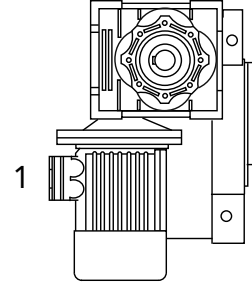
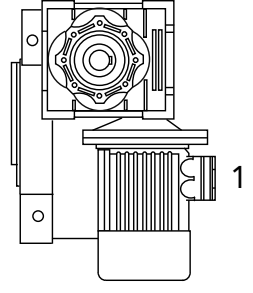
Size	es. 63 B4
Power	es. Kw 0.18
Poles	es. 4
Voltage	es. V230/400
Frequency	es. 50 Hz
Flange	es. B14

N.B. From size 25 to 63 the gears are always supplied in the Universal position and can therefore be mounted in any position, from size 75 to size 130 if the position required differs from B3 it must be specified. In particular, in the event that a gear in position B3 is to be mounted in positions V5 or V6, the bearing positioned in the upper side must be lubricated using suitable grease that ensures proper lubrication. We have tested Tecnolubeseal POLYMER 400/2 grease.

- 1) see page 48
- 2) see from page 31 to page 40
- 3) see page 30
- 4) see page 47
- 5) lack of instructions indicates that the gear is not equipped with an output flange.

2D and 3D drawings available on the web site [www.chiaravalli.com](http://www.chiaravalli.com)  
Quantity, availability and prices with Chiaravalli B2B



 <p><b>OAD</b></p>	 <p><b>OAS</b></p>
 <p><b>OBD</b></p>	 <p><b>OBS</b></p>
 <p><b>VAD</b></p>	 <p><b>VAS</b></p>
 <p><b>VBS</b></p>	 <p><b>VBD</b></p>

The execution determines the mounting position of the first gear in relation to the second gear. If not otherwise specified at the time of order, the group will be supplied in the OBS execution. The placing position refers to the second gear.





# CHM/CHM - PERFORMANCE WITH 4-POLE MOTORS 1400 REVS. INPUT

TYPE	i=ratio	n2 r/min	Kw=P1	Nm=T2
	300	4.7	0.09*	31
	400	3.5	0.09*	28
	500	2.8	0.09*	34
	600	2.3	0.09*	31
<b>CHM</b> <b>025/030</b>	750	1.9	0.09*	34
	900	1.6	0.09*	31
	1200	1.2	0.09*	31
	1500	0.9	0.09*	26
	1800	0.8	0.09*	23
	2400	0.6	0.09*	23

TYPE	i=ratio	n2 r/min	Kw=P1	Nm=T2
	300	4.7	0.37	405
	400	3.5	0.25	336
	500	2.8	0.25	307
	600	2.3	0.18	362
<b>CHM</b> <b>040/075</b>	750	1.9	0.18	391
	900	1.6	0.18*	325
	1200	1.2	0.18*	359
	1500	0.9	0.09	360
	1800	0.8	0.09	404
	2400	0.6	0.09*	330

TYPE	i=ratio	n2 r/min	Kw=P1	Nm=T2
	300	4.7	0.09*	70
	400	3.5	0.09*	63
	500	2.8	0.09*	57
	600	2.3	0.09*	72
<b>CHM</b> <b>030/040</b>	750	1.9	0.09*	72
	900	1.6	0.09*	73
	1200	1.2	0.09*	65
	1500	0.9	0.09*	73
	1800	0.8	0.09*	73
	2400	0.6	0.09*	65

TYPE	i=ratio	n2 r/min	Kw=P1	Nm=T2
	300	4.7	0.37	405
	400	3.5	0.37	523
	500	2.8	0.37	550
	600	2.3	0.37	605
<b>CHM</b> <b>040/090</b>	750	1.9	0.25	538
	900	1.6	0.25	533
	1200	1.2	0.18	629
	1500	0.9	0.18	588
	1800	0.8	0.18*	492
	2400	0.6	0.18*	625

TYPE	i=ratio	n2 r/min	Kw=P1	Nm=T2
	300	4.7	0.18	142
	400	3.5	0.18	127
	500	2.8	0.09	123
	600	2.3	0.09	143
<b>CHM</b> <b>030/050</b>	750	1.9	0.09	148
	900	1.6	0.09*	141
	1200	1.2	0.09*	118
	1500	0.9	0.09*	139
	1800	0.8	0.09*	155
	2400	0.6	0.09*	124

TYPE	i=ratio	n2 r/min	Kw=P1	Nm=T2
	300	4.7	0.75	871
	400	3.5	0.75	1013
	500	2.8	0.55	984
	600	2.3	0.55	1062
<b>CHM</b> <b>050/110</b>	750	1.9	0.55	1128
	900	1.6	0.37	1079
	1200	1.2	0.25	943
	1500	0.9	0.25	1064
	1800	0.8	0.25	1075
	2400	0.6	0.18	1001

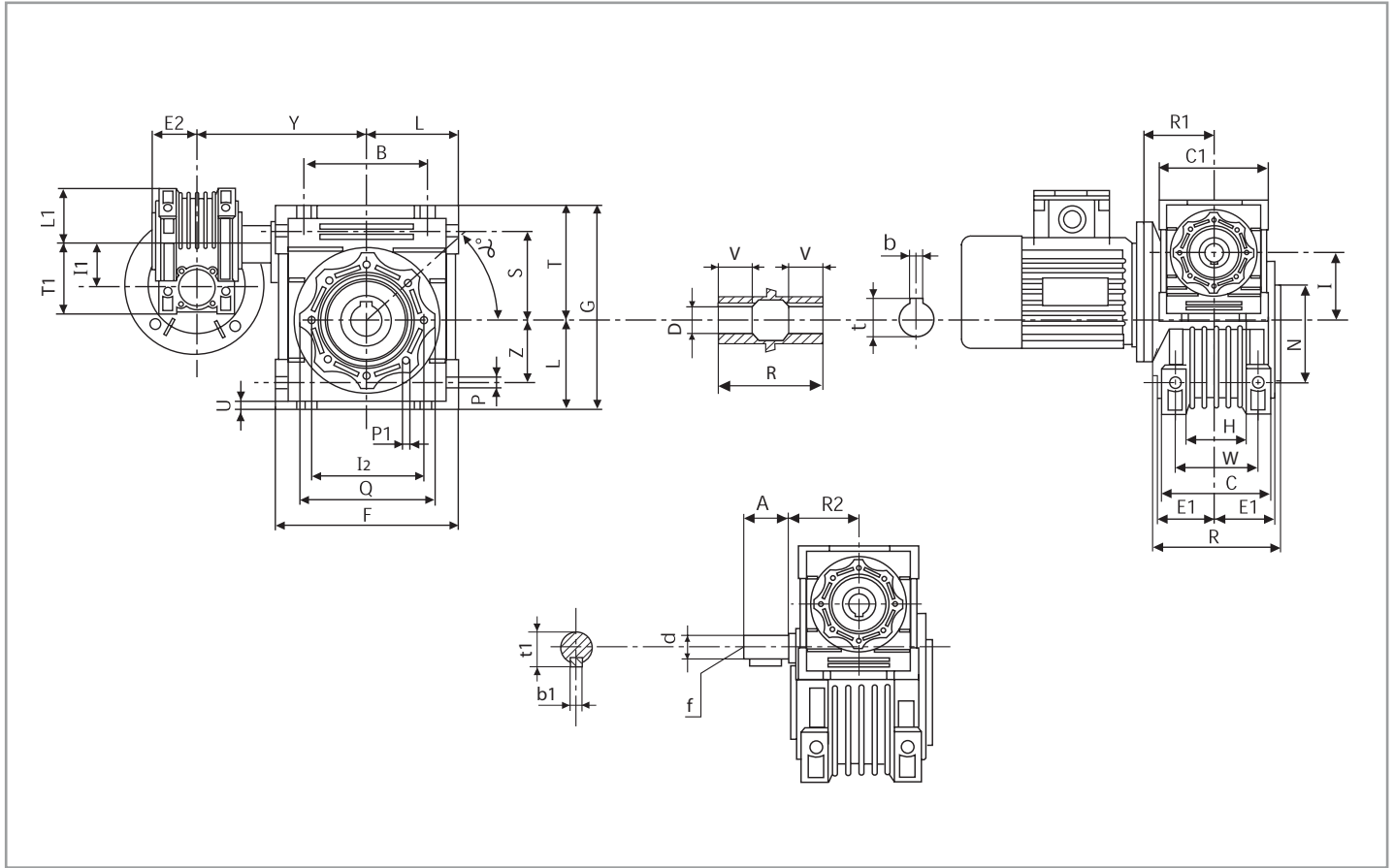
TYPE	i=ratio	n2 r/min	Kw=P1	Nm=T2
	300	4.7	0.22	210
	400	3.5	0.18	222
	500	2.8	0.18	205
	600	2.3	0.18*	208
<b>CHM</b> <b>030/063</b>	750	1.9	0.18*	216
	900	1.6	0.09	200
	1200	1.2	0.09	236
	1500	0.9	0.09*	204
	1800	0.8	0.09*	202
	2400	0.6	0.09*	220

TYPE	i=ratio	n2 r/min	Kw=P1	Nm=T2
	300	4.7	1.50	1789
	400	3.5	1.10	1519
	500	2.8	1.10	1629
	600	2.3	0.75	1631
<b>CHM</b> <b>063/130</b>	750	1.9	0.75	1804
	900	1.6	0.75	1826
	1200	1.2	0.55	1705
	1500	0.9	0.37	1674
	1800	0.8	0.37	1698
	2400	0.6	0.25	1624

N.B. The powers marked with an asterisk are higher than those that the gear allows, therefore the applicative choice must be made in accordance with the torque and not the power. The gear ratios are those most frequently requested. It is possible to obtain multiple combinations using the various ratios of the two single gears.  
CHM 63/150 on request



# CHM-CHM/CHMR-CHM - DIMENSIONS OF COMBINED GEARS



CHM-CHM	B	A	F	C1	D(H7)	d(f6)	G	H	R1	R	R2	L	L1	I	I1	C	I2	N(h8)	E1	E2	P
025/030	54	-	80	70	14	-	97	32	45	63	-	40	35	30	25	56	65	55	29	22.5	6
030/040	70	20	100	80	18	9	121.5	43	55	78	51	50	40	40	30	71	75	60	36.5	29	6.5
030/050	80	20	120	80	25	9	144	49	55	92	51	60	40	50	30	85	85	70	43.5	29	8.5
030/063	100	20	144	80	25	9	174	67	55	112	51	72	40	63	30	103	95	80	53	29	8.5
040/075	120	23	172	100	28	11	205	72	70	120	60	86	50	75	40	112	115	95	57	36.5	11
040/090	140	23	208	100	35	11	238	74	70	140	60	103	50	90	40	130	130	110	67	36.5	13
050/110	170	30	252.5	120	42	14	295	-	80	155	74	127.5	60	110	50	144	165	130	74	43.5	14
063/130	200	40	292.5	144	45	19	335	-	95	170	90	147.5	72	130	63	155	215	180	81	53	16
063/150	240	40	340	144	50	19	400	-	95	200	90	170	72	150	63	185	215	180	96	53	18

CHM-CHM	Q	S	T	T1	U	V	Z	Y	W	P1	alpha	b	b1	f	t	t1	Weight in Kg. excluding motor
025/030	75	44	57	48	5	18	27	100	44	M6x11(n.4)	90°	5	-	-	-	-	2.5
030/040	87	55	71.5	57	6.5	26	35	120	60	M6x8(n.4)	45°	6	3	-	20.8	10.2	3.9
030/050	100	64	84	57	7	30	40	130	70	M8x10(n.4)	45°	8	3	-	28.3	10.2	5.0
030/063	110	80	102	57	8	36	50	145	85	M8x14(n.8)	45°	8	3	-	28.3	10.2	7.8
040/075	140	93	119	71.5	10	40	60	165	90	M8x14(n.8)	45°	8	4	-	31.3	12.5	11.5
040/090	160	102	135	71.5	11	45	70	182	100	M10x18(n.8)	45°	10	4	-	38.3	12.5	15
050/110	200	125	167.5	84	14	50	85	225	115	M10x18(n.8)	45°	12	5	M6	45.3	16.0	39.2
063/130	250	140	187.5	102	15	60	100	245	120	M12x21(n.8)	45°	14	6	M6	48.8	21.5	70
063/150	250	180	230	102	18	72	120	275	145	M12x21(n.8)	45°	14	6	M6	53.8	21.5	100

N.B. For the side flange and double extended input worm dimensions see the corresponding size of the CHM models.

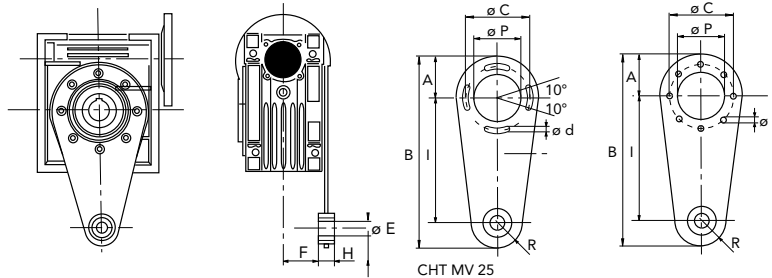


# TORQUE ARM

TYPE	I	R	F	H	Ø E	A	B	Ø C	Ø d	Ø P	N°	Weight for kit kg
CHT MV 25*	70	15	17.5	14	8	33.5	118.5	55	7	45	4	0.17
CHT MV 30*	85	15	24	14	8	38	138	65	7	55	8	0.18
CHT MV 40	100	18	31.5	14	10	44	162	75	7	60	8	0.24
CHT MV 50	100	18	38.5	14	10	50	168	85	9	70	8	0.27
CHT MV 63	150	18	49	14	10	55	223	95	9	80	8	0.57
CHT MV 75	200	30	47.5	25	20	70	300	115	9	95	8	1.10
CHT MV 90	200	30	57.5	25	20	80	310	130	11	110	8	1.26
CHT MV 110	250	35	62	30	25	100	385	165	11	130	8	1.92
CHT MV 130	250	35	69	30	25	125	410	215	14	180	8	2.23
CHT MV 150	250	35	84	30	25	125	410	215	14	180	8	2.23

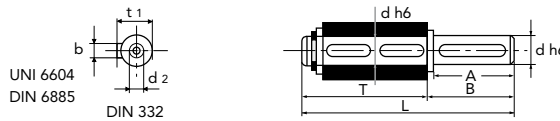
\* Without vibration resistant bushing

The anchoring point of the torque arm is equipped with a vibration resistant bushing.



# SINGLE OUTPUT SHAFT KIT

TYPE	A	Ø d	B	b	t 1	T	L	d 2	Weight for kit kg
CHT MVS 25	23	11	25.5	4	12.5	55.5	81	-	0.07
CHT MVS 30	30	14	32.5	5	16	69.5	102	M6x16	0.14
CHT MVS 40	40	18	43	6	20.5	85	128	M6x16	0.27
CHT MVS 50	50	25	53.5	8	28	99.5	153	M10x22	0.60
CHT MVS 63	50	25	53.5	8	28	119.5	173	M10x22	0.67
CHT MVS 75	60	28	63.5	8	31	128.5	192	M10x22	0.94
CHT MVS 90	80	35	84.5	10	38	149.5	234	M12x28	1.79
CHT MVS 110	80	42	84.5	12	45	164.5	249	M16x35	2.70
CHT MVS 130	80	45	85	14	48.5	180	265	M16x35	3.60
CHT MVS 150	82	50	87	14	53.5	210	297	M16x35	5.00



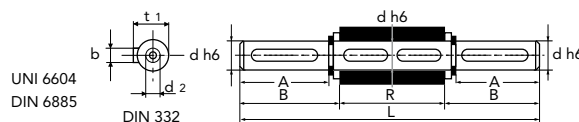
50

CHM - TORQUE ARM - SINGLE/ DOUBLE OUTPUT SHAFT KIT



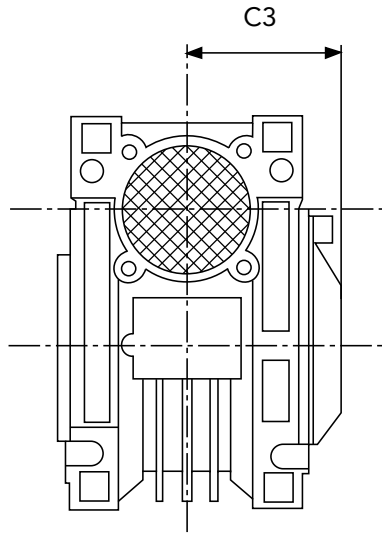
# DOUBLE OUTPUT SHAFT KIT

TYPE	A	Ø d	B	R	b	t 1	L	d 2	Weight for kit kg
CHT MVD 25	23	11	25.5	50	4	12.5	101	-	0.11
CHT MVD 30	30	14	32.5	63	5	16	128	M6x16	0.16
CHT MVD 40	40	18	43	78	6	20.5	164	M6x16	0.34
CHT MVD 50	50	25	53.5	92	8	28	199	M10x22	0.75
CHT MVD 63	50	25	53.5	112	8	28	219	M10x22	0.84
CHT MVD 75	60	28	63.5	120	8	31	247	M10x22	1.20
CHT MVD 90	80	35	84.5	140	10	38	309	M12x28	2.50
CHT MVD 110	80	42	84.5	155	12	45	324	M16x35	3.44
CHT MVD 130	80	45	85	170	14	48.5	340	M16x35	4.25





## COVER



TYPE	C3
030	43
040	50
050	59
063	70
075	75
090	87
110	95
130	103
150	117



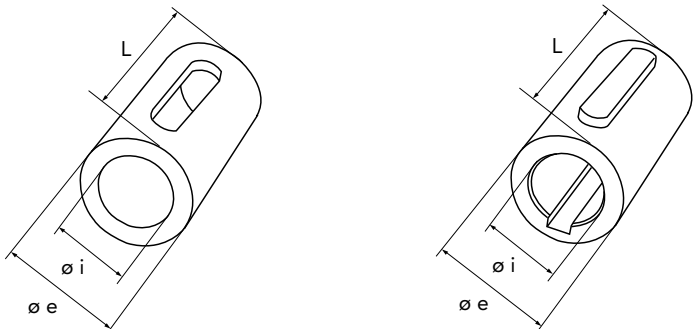
## REDUCTION BUSHINGS KIT

SINGLE				
TYPE	$\phi$ i / $\phi$ e	L	Key	Weight for kit kg
CHT BRM-S	9/11	20	4/3x4x11 RB*	0.006
CHT BRM-S	11/14	30	5/4x6x10 RB*	0.015
CHT BRM-S	14/19	40	6x5x30 *	0.045
CHT BRM-S	19/24	50	6x5.5x20 * 8x5.5x40 *	0.07
CHT BRM-S	24/28	60	8x9x40 *	0.08
CHT BRM-S	28/38	80	10x7x60 *	0.33
CHT BRM-S	38/42	110	12/10x10x48 RB*	0.22

DOUBLE				
TYPE	$\phi$ i / $\phi$ e	L	Key	Weight for kit kg
CHT BRM-D	11/19	40	6x6x30 *	0.06
CHT BRM-D	14/24	50	8x7x40 A	0.12
CHT BRM-D	19/28	60	8x7x50 A	0.16
CHT BRM-D	24/38	80	10x8x60 A	0.44

\* to drawing

Tongue acc. to UNI 6604 - DIN 6885  
Quenched



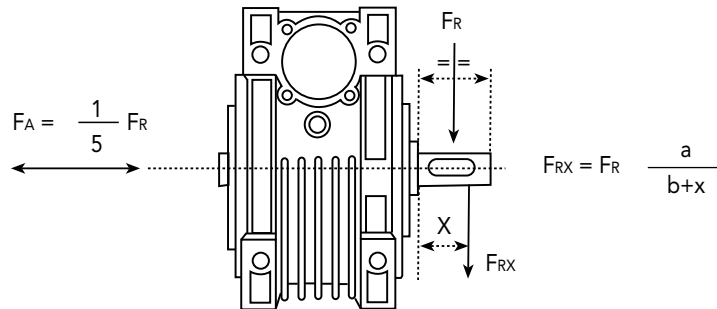
2D and 3D drawings available on the web site [www.chiaravalli.com](http://www.chiaravalli.com)  
Quantity, availability and prices with Chiaravalli B2B



# RADIAL LOADS ON THE OUTPUT SHAFT

The loads indicated are valid for all application directions.  
 The maximum allowable axial loads are equal to 1/5 of the radial load value shown in the table when applied with the same radial load; if this is not the case, please contact our technical office. If double output shafts are used, the sum of radial loads applicable to the centre lines of the two ends of the shaft must not exceed the value shown in the table below.  
 The radial loads related to the output speed (n2)=10 are the maximum loads supported by the gear.

- a | GEAR CONSTANT
- b | GEAR CONSTANT
- x | LOAD DISTANCE FROM SHAFT SHOULDER IN MM.
- F<sub>RX</sub> | RADIAL LOAD IN POSITION X (IN N)
- F<sub>R</sub> | RADIAL LOAD (N)
- F<sub>A</sub> | AXIAL LOAD (N)



## SIZES

Output speed (n2)	025	030	040	050	063	075	090	110	130	150
400	390	530	1020	1400	1830	2160	2390	3530	3950	5290
250	460	620	1200	1650	2150	2520	2800	4130	4610	6140
150	550	740	1420	1960	2540	2990	3310	4890	5470	7300
100	630	850	1620	2250	2910	3430	3800	5600	6260	8330
60	740	1000	1920	2660	3450	4060	4500	6640	7420	9800
40	850	1150	2200	3050	3950	4650	5150	7600	8500	11330
25	990	1350	2570	3570	4620	5440	6020	8890	9940	13250
10	1350	1830	3490	4840	6270	7380	8180	12000	13500	18000

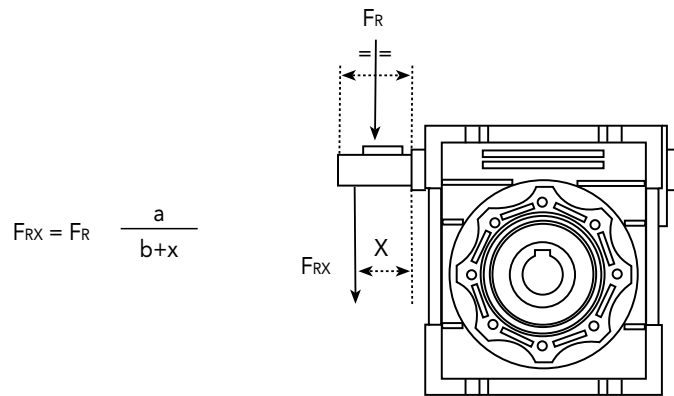
## CONSTANTS' VALUES

a	50	65	84	101	120	131	162	176	188	215
b	38	50	64	76	95	101	122	136	148	174





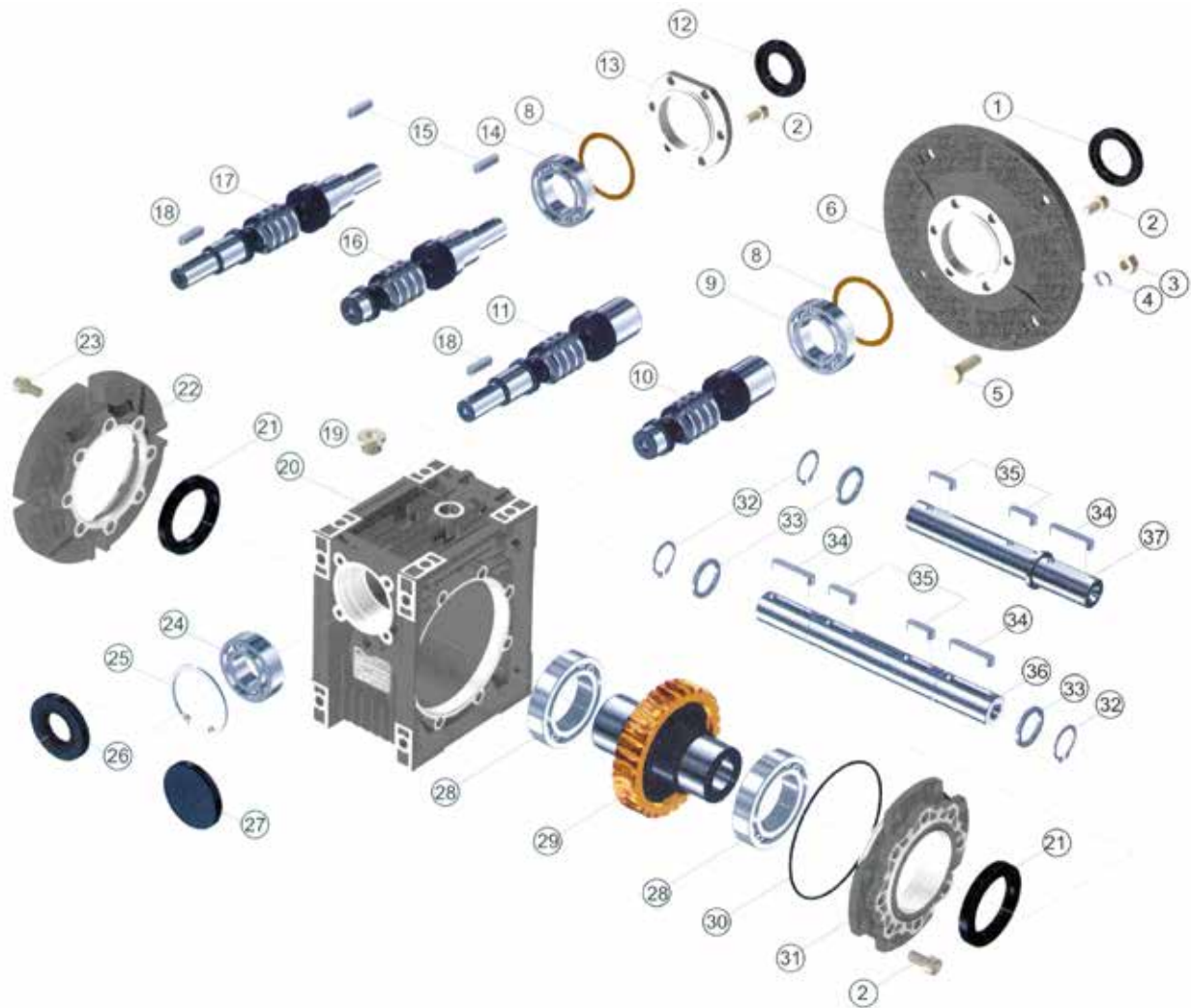
# RADIAL LOADS ON THE CENTRE LINE OF THE INPUT SHAFT



SIZES									
	030	040	050	063	075	090	110	130	150
CONSTANTS' VALUES									
a	86	106	129	159	192	227	266	314	350
b	76	94	114	139	167	202	236	274	310
Fr max	210	350	490	700	980	1270	1700	2100	2800



## EXPLODED DRAWING AND SPARE PARTS LIST



1	OIL SEAL	20	CASING
2	TORX SCREW	21	OIL SEAL
3	NUT	22	OUTPUT FLANGE
4	WASHER	23	EMBEDDED HEXAGONAL-HEAD SCREW
5	HEXAGONAL-HEAD SCREW	24	BEARING
6	MOTOR CONNECTION FLANGE	25	SEEGER
8	ADJUST SPACER	26	OIL SEAL
9	BEARING	27	CAP
10	HOLE INPUT WORM	28	BEARING
11	HOLE INPUT AND SHAFT OUTPUT WORM	29	WORM WHEEL
12	OIL SEAL	30	O-RING
13	INPUT COVER	31	OUTPUT COVER
14	BEARING	32	SEEGER
15	KEY	33	SPACER
16	SHAFT INPUT WORM	34	KEY
17	DOUBLE EXTENDED INPUT SHAFT WORM	35	KEY
18	KEY	36	DOUBLE OUTPUT SHAFT
19	OIL PLUG	37	SINGLE OUTPUT SHAFT

2D and 3D drawings available on the web site [www.chiaravalli.com](http://www.chiaravalli.com)  
Quantity, availability and prices with Chiaravalli B2B



## INSTALLATION

- The data shown on the identification name plate must correspond to the gear ordered.
- The oil level, for the sizes 110 and 130 equipped with filling, draining and level plug, must correspond to the quantity foreseen for the assembly position requested (see catalogue), in addition, always for the sizes indicated, it will be the client's responsibility to substitute the blind plug, supplied for transport, with the corresponding plug equipped with a bleed hole included in the supply with the gear.
- All of the other gears are supplied complete with permanent synthetic oil in a quantity that is sufficient for any assembly position.
- The gear must be fixed on a flat surface that is sufficiently rigid in order to avoid any vibration.
- The gear and the axis of the machine to be driven must be perfectly aligned.
- In the event that knocks, overloading or blockage of the machine are foreseen, the client must install a limiting device, joints, overload cut-out etc.
- Coupling with pinions, joints, pulleys and other parts must be done after the parts have been cleaned and knocks should be avoided while assembling as they could damage the bearings and other internal parts.
- In the event that the motor is supplied by the client, he must check that the flange and shaft tolerances correspond to a "normal" class; our motors satisfy this requirement.
- Check that the fixing screws for the gear and the related accessories are correctly tightened.
- Take suitable measures to protect the groups from any aggressive atmospheric agents.
- Where foreseen, protect rotating parts from any possible contact with the operators.
- If the gears are painted, protect the oil seals and the machined surfaces.
- All of the gears are painted RAL 9022 grey.

## OPERATION AND RUNNING-IN

- To obtain the best performance the gears must first be run in by gradually increasing the power in the first few hours of operation, in this phase an increase in temperature is considered normal.
- In the event of defective operation, noise, oil leakage, etc. stop the gear immediately and, when possible, remove the cause. Alternatively, send the piece to our factory to be controlled.

## MAINTENANCE

- The worm gears from size 25 to size 90 and the pre-stage modules are lubricated with permanent synthetic oil and therefore do not require any maintenance.
- The gears size 110 and 130 are lubricated with mineral oil and are equipped with a breather plug, therefore the oil level must be checked periodically and if necessary topped up with the same oil or one that is compatible with those indicated in our catalogue.
- For the gears size 110 and 130 proceed with the substitution of the oil after the first 300 working hours, replacing it with the correct quantity in accordance with the assembly position, as detailed in our catalogue, after the inside of the gear has been thoroughly washed.

## WAREHOUSE STORAGE

- If the warehouse storage will be for a long time, more than 3 months, the shafts and machined surfaces should be protected using antioxidants and the oil seals should be greased.

## HANDLING

- Care must be taken not to damage the oil seals and the machined surfaces when handling the groups.

## DISPOSAL OF PACKAGING

- The packaging in which our gears are delivered should be sent to specialised companies for recycling if possible.



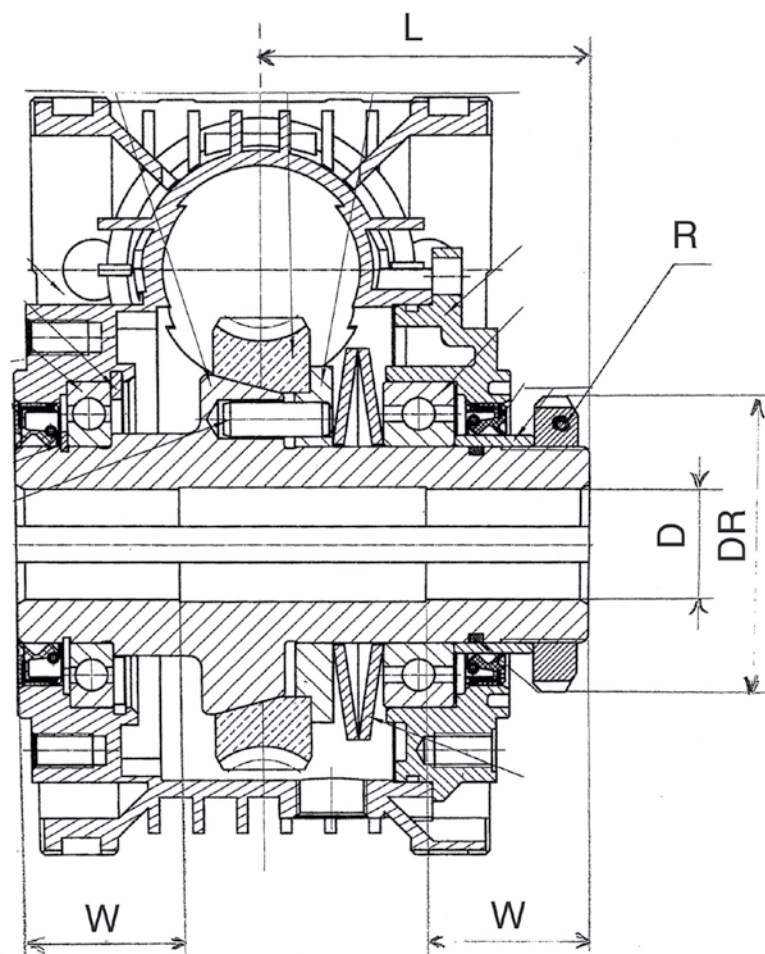
## **CHML WORM GEARBOXES WITH TORQUE LIMITER**



## DESIGN FEATURES

CHML worm gearboxes are manufactured in three sizes 40-50-63.  
The torque limiter assures protection of the gearbox from overloads.  
The torque limiter, in oil bath, is maintenance free.  
The hollow output shaft diameter is the same of standard gearboxes.  
Gearbox dimensions, external ring nut excluded, are unchanged.  
Adjusted the torque limiter with the ring nut in accordance to application request.

## DIMENSIONS



	040	050	063
<b>L</b>	55	63,5	74
<b>DR</b>	45	56	62
<b>R</b>	M30x1,5	M40x1,5	M45x1,5
<b>D</b>	18	25	25
<b>W</b>	26	33	37

2D and 3D drawings available on the web site [www.chiaravalli.com](http://www.chiaravalli.com)  
Quantity, availability and prices with Chiaravalli B2B