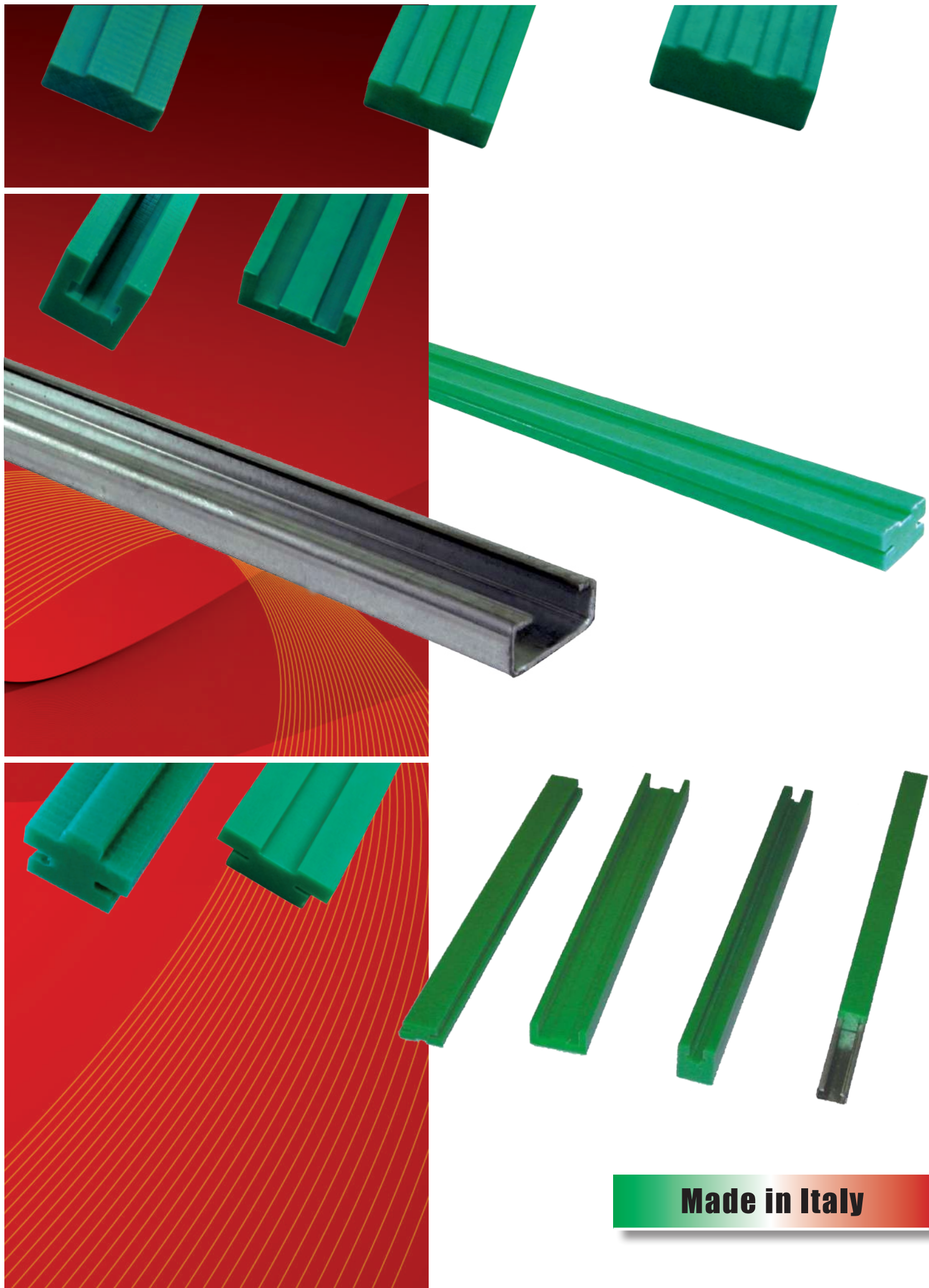




POLYETHYLENE GUIDES - METAL STEEL HOLDERS



Made in Italy



PROFILE T1

MADE IN ITALY

Standard lengths 2 METERS

(on request we provide higher lengths)

Material: PE-UHMW High molecular weight polyethylene (p.m. over 1.000.000)

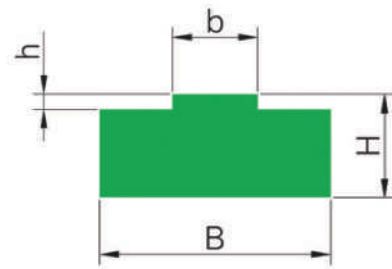
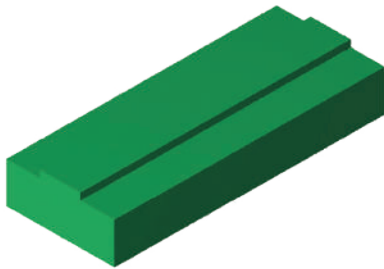
Color: green

Specific gravity: g/cm³ 0,945

Dynamic friction coefficient: 0.2 (P = 0.05 N/mm² - V = 0.6 m/s - T = 40°C)

Temperature range : -70°C ÷ 65°C

Linear thermal expansion: mm 2 every 10°C from the temperature of 20°C.



DESCRIPTION	ARTICLE CODE	CHAIN	ISO 606 (DIN 8187)	B	H	b	h	WEIGHT
				mm	mm	mm	mm	Kg/piece
T1-01	GC 1 05 01 2	3/8"x7/32"	06 B-1	15.0	10.0	5.4	1.5	0,26
T1-05	GC 1 05 05 2	1/2"x5/16"	08 B-1	20.0	10.0	7.4	2.2	0,33
T1-06	GC 1 05 06 2	1/2"x5/16"	08 B-1	20.0	15.0	7.4	2.2	0,52
T1-07	GC 1 05 07 2	1/2"x5/16"	08 B-1	20.0	20.0	7.4	2.2	0,70
T1-09	GC 1 05 09 2	5/8"x3/8"	10 B-1	20.0	10.0	9.2	2.6	0,32
T1-10	GC 1 05 10 2	5/8"x3/8"	10 B-1	20.0	15.0	9.2	2.6	0,52
T1-11	GC 1 05 11 2	5/8"x3/8"	10 B-1	20.0	20.0	9.2	2.6	0,71
T1-13	GC 1 05 13 2	3/4"x7/16"	12 B-1	25.0	10.0	11.3	2.4	0,42
T1-14	GC 1 05 14 2	3/4"x7/16"	12 B-1	25.0	15.0	11.3	2.4	0,65
T1-15	GC 1 05 15 2	3/4"x7/16"	12 B-1	25.0	20.0	11.3	2.4	0,88
T1-18	GC 1 05 18 2	1"x17 mm	16 B-1	40.0	15.0	16.5	3.5	0,94
T1-19	GC 1 05 19 2	1"x17 mm	16 B-1	40.0	20.0	16.5	3.5	1,32
T1-21	GC 1 05 21 2	1 1/4"x3/4"	20 B-1	45.0	15.0	19.0	4.3	1,06
T1-22	GC 1 05 22 2	1 1/4"x3/4"	20 B-1	45.0	20.0	19.0	4.3	1,49
T1-24	GC 1 05 24 2	1 1/2"x1"	24 B-1	60.0	15.0	24.6	5.6	1,33
T1-25	GC 1 05 25 2	1 1/2"x1"	24 B-1	60.0	20.0	24.6	5.6	1,90
T1-27	GC 1 05 27 2	1 3/4"x31 mm	28 B-1	75.0	20.0	30.0	6.9	2,26
T1-30	GC 1 05 30 2	2"x31 mm	32 B-1	80.0	20.0	30.0	7.8	2,30

Note: all value have been measured in standard weather conditions: 23°C/73°F with 50% relative humidity (DIN 50005/ISO 554)



PROFILE T2

MADE IN ITALY

Standard lengths 2 METERS

(on request we provide higher lengths)

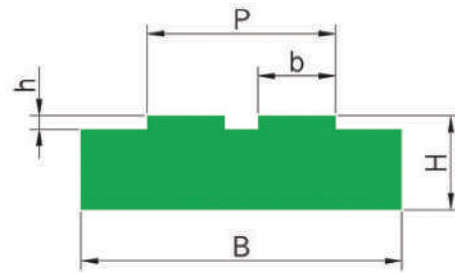
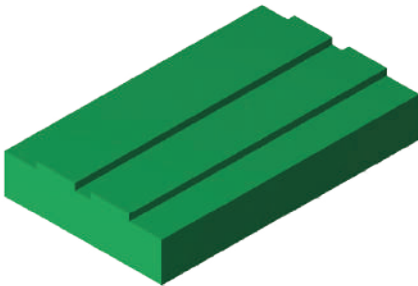
Material: PE-UHMW High molecular weight polyethylene (p.m. over 1.000.000)

Color: green

Specific gravity: g/cm³ 0,945Dynamic friction coefficient: 0.2 (P = 0.05 N/mm² - V = 0.6 m/s - T = 40°C)

Temperature range : -70°C ÷ 65°C

Linear thermal expansion: mm 2 every 10°C from the temperature of 20°C.



DESCRIPTION	ARTICLE CODE	CHAIN	ISO 606 (DIN 8187)	B	H	b	h	P	WEIGHT
				mm	mm	mm	mm	mm	Kg/piece
T2-01	GC 1 10 01 2	3/8"x7/32"	06 B-2	25.0	10.0	5.4	1.5	15.8	0,50
T2-05	GC 1 10 05 2	1/2"x5/16"	08 B-2	35.0	10.0	7.4	2.2	21.4	0,72
T2-06	GC 1 10 06 2	1/2"x5/16"	08 B-2	35.0	15.0	7.4	2.2	21.4	1,06
T2-07	GC 1 10 07 2	1/2"x5/16"	08 B-2	35.0	20.0	7.4	2.2	21.4	1,38
T2-09	GC 1 10 09 2	5/8"x3/8"	10 B-2	40.0	10.0	9.2	2.6	25.8	0,85
T2-10	GC 1 10 10 2	5/8"x3/8"	10 B-2	40.0	15.0	9.2	2.6	25.8	1,23
T2-11	GC 1 10 11 2	5/8"x3/8"	10 B-2	40.0	20.0	9.2	2.6	25.8	1,61
T2-13	GC 1 10 13 2	3/4"x7/16"	12 B-2	45.0	15.0	11.3	2.4	30.8	1,19
T2-14	GC 1 10 14 2	3/4"x7/16"	12 B-2	45.0	20.0	11.3	2.4	30.8	1,62
T2-15	GC 1 10 15 2	1"x17 mm	16 B-2	65.0	15.0	16.5	3.5	48.4	1,88
T2-18	GC 1 10 18 2	1"x17 mm	16 B-2	65.0	20.0	16.5	3.5	48.4	2,30
T2-19	GC 1 10 19 2	1 1/4"x3/4"	20 B-2	70.0	15.0	19.0	4.3	54.5	1,85
T2-21	GC 1 10 21 2	1 1/4"x3/4"	20 B-2	70.0	20.0	19.0	4.3	54.5	2,51
T2-22	GC 1 10 22 2	1 1/2"x1"	24 B-2	88.0	20.0	24.6	5.6	73.0	3,16
T2-24	GC 1 10 24 2	1 3/4"x31 mm	28 B-2	105.0	25.0	30.0	6.9	89.6	4,68
T2-25	GC 1 10 25 2	2"x31 mm	32 B-2	105.0	30.0	30.0	7.8	88.7	5,68

Note: all value have been measured in standard weather conditions: 23°C/73°F with 50% relative humidity (DIN 50005/ISO 554)

Quantity, availability and prices on B2B Chiaravalli



PROFILE T3

MADE IN ITALY

Standard lengths 2 METERS

(on request we provide higher lengths)

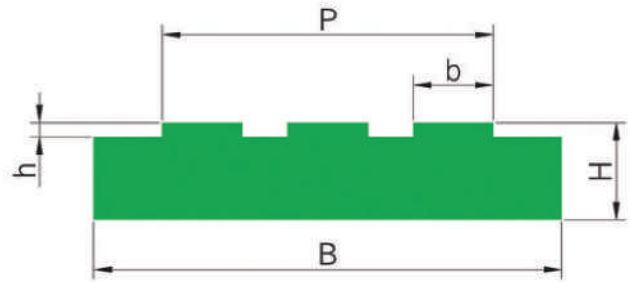
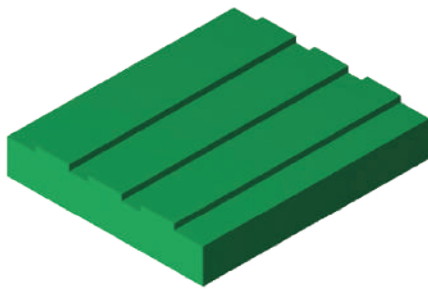
Material: PE-UHMW High molecular weight polyethylene (p.m. over 1.000.000)

Color: green

Specific gravity: g/cm³ 0,945Dynamic friction coefficient: 0.2 (P = 0.05 N/mm² - V = 0.6 m/s - T = 40°C)

Temperature range : -70°C ÷ 65°C

Linear thermal expansion: mm 2 every 10°C from the temperature of 20°C.



DESCRIPTION	ARTICLE CODE	CHAIN	ISO 606 (DIN 8187)	B	H	b	h	P	WEIGHT
				mm	mm	mm	mm	mm	Kg/piece
T3-01	GC 1 15 01 2	3/8"x7/32"	06 B-3	35.0	10.0	5.4	1.5	25.9	0,61
T3-05	GC 1 15 05 2	1/2"x5/16"	08 B-3	45.0	10.0	7.4	2.2	35.2	0,76
T3-06	GC 1 15 06 2	1/2"x5/16"	08 B-3	45.0	15.0	7.4	2.2	35.2	1,19
T3-07	GC 1 15 07 2	1/2"x5/16"	08 B-3	45.0	20.0	7.4	2.2	35.2	1,62
T3-09	GC 1 15 09 2	5/8"x3/8"	10 B-3	55.0	10.0	9.2	2.6	42.4	0,91
T3-10	GC 1 15 10 2	5/8"x3/8"	10 B-3	55.0	15.0	9.2	2.6	42.4	1,60
T3-11	GC 1 15 11 2	5/8"x3/8"	10 B-3	55.0	20.0	9.2	2.6	42.4	2,18
T3-13	GC 1 15 13 2	3/4"x7/16"	12 B-3	60.0	15.0	11.3	2.4	50.2	1,76
T3-14	GC 1 15 14 2	3/4"x7/16"	12 B-3	60.0	20.0	11.3	2.4	50.2	2,39
T3-15	GC 1 15 15 2	1"x17 mm	16 B-3	95.0	20.0	16.5	3.5	80.3	3,53

Note: all value have been measured in standard weather conditions: 23°C/73°F with 50% relative humidity (DIN 50005/ISO 554)



PROFILES T1C - T2C

MADE IN ITALY

Standard lengths 2 METERS

(on request we provide higher lengths)

Material: PE-UHMW High molecular weight polyethylene (p.m. over 1.000.000)

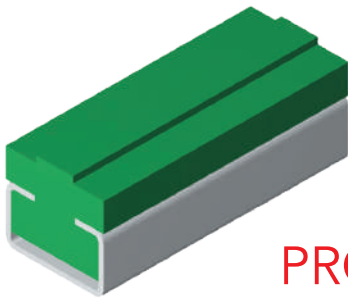
Color: green

Specific gravity: g/cm³ 0,945

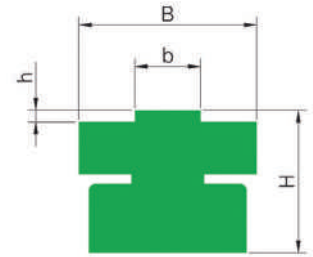
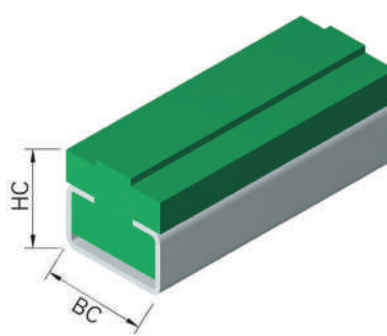
Dynamic friction coefficient: 0.2 (P = 0.05 N/mm² - V = 0.6 m/s - T = 40°C)

Temperature range : -70°C ÷ 65°C

Linear thermal expansion: mm 2 every 10°C from the temperature of 20°C.

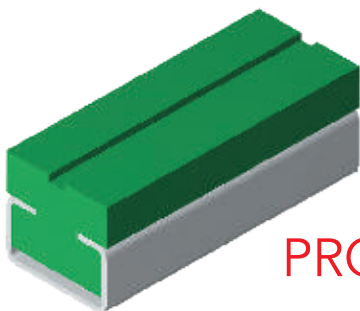


PROFILE T1C

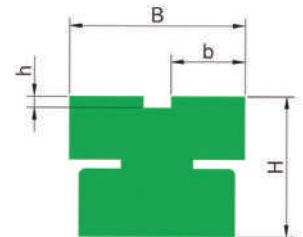
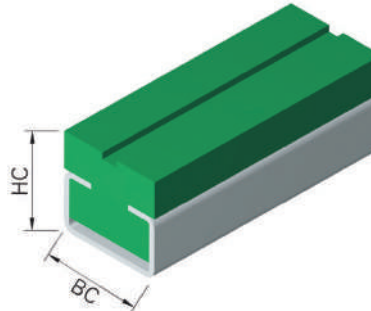


DESCRIPTION	ARTICLE CODE	CHAIN	ISO 606 (DIN 8187)	B	H	BC	HC	b	h	METALLIC PROFILE	WEIGHT
				mm	mm	mm	mm	mm	mm		Kg/piece
T1C-31	GC 1 20 31 2	3/8"x7/32"	06 B-1	20.0	15.0	20.0	17.0	5.4	1.5	C 3	0,25
T1C-33	GC 1 20 33 2	1/2"x5/16"	08 B-1	20.0	15.0	20.0	17.0	7.4	2.2	C 3	0,26
T1C-34	GC 1 20 34 2	5/8"x3/8"	10 B-1	20.0	15.0	20.0	17.0	9.2	2.6	C 3	0,27
T1C-35	GC 1 20 35 2	3/4"x7/16"	12 B-1	20.0	15.0	20.0	17.0	11.3	2.4	C 3	0,35
T1C-36	GC 1 20 36 2	1"x17 mm	16 B-1	28.0	15.0	28.0	18.0	16.5	3.5	C 5	0,59
T1C-37	GC 1 20 37 2	1 1/4"x3/4"	20 B-1	38.0	20.0	38.0	27.0	19.0	4.3	C 9	1,27

METALLIC PROFILE NOT INCLUDED



PROFILE T2C



DESCRIPTION	ARTICLE CODE	CHAIN	ISO 606 (DIN 8187)	B	H	BC	HC	b	h	METALLIC PROFILE	WEIGHT
				mm	mm	mm	mm	mm	mm		Kg/piece
T2C-31	GC 1 25 31 2	3/8"x7/32"	06 B-2	15.7	15.0	20.0	17.0	5.4	1.5	C 3	0,41
T2C-33	GC 1 25 33 2	1/2"x5/16"	08 B-2	21.4	15.0	20.0	17.0	7.4	2.2	C 3	0,48
T2C-34	GC 1 25 34 2	5/8"x3/8"	10 B-2	25.9	15.0	28.0	19.0	9.2	2.6	C 5	0,52
T2C-35	GC 1 25 35 2	3/4"x7/16"	12 B-2	30.7	15.0	28.0	19.0	11.3	2.4	C 5	0,66
T2C-36	GC 1 25 36 2	1"x17 mm	16 B-2	48.3	20.0	38.0	27.0	16.5	3.5	C 9	1,30

METALLIC PROFILE NOT INCLUDED

Note: all value have been measured in standard weather conditions: 23°C/73°F with 50% relative humidity (DIN 50005/ISO 554)



PROFILES E1 - E2

MADE IN ITALY

Standard lengths 2 METERS

(on request we provide higher lengths)

Material: PE-UHMW High molecular weight polyethylene (p.m. over 1.000.000)

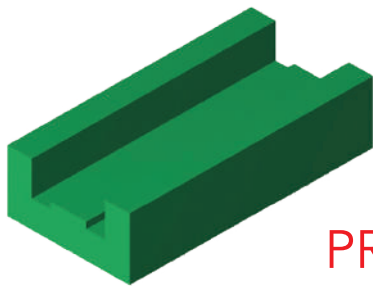
Color: green

Specific gravity: g/cm³ 0,945

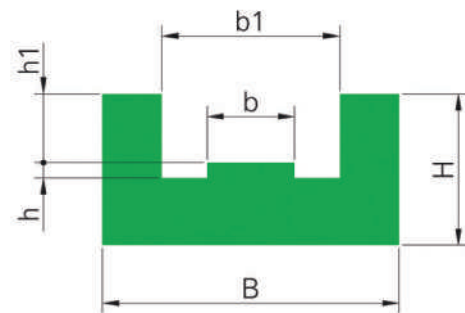
Dynamic friction coefficient: 0.2 (P = 0.05 N/mm² - V = 0.6 m/s - T = 40°C)

Temperature range : -70°C ÷ 65°C

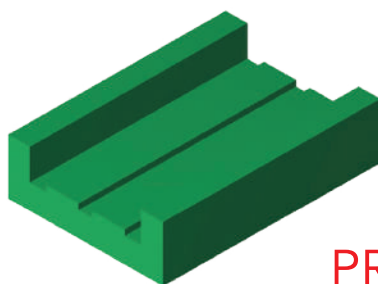
Linear thermal expansion: mm 2 every 10°C from the temperature of 20°C.



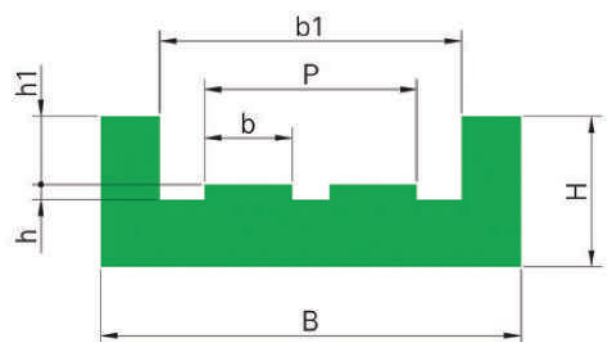
PROFILE E1



DESCRIPTION	ARTICLE CODE	CHAIN	ISO 606 (DIN 8187)	B	H	b1	h1	b	h	WEIGHT
				mm	mm	mm	mm	mm	mm	Kg/piece
E1-01	GC 1 30 01 2	3/8"x7/32"	06 B-1	25.0	10.0	15.0	4.4	5.4	1.5	0,41
E1-05	GC 1 30 05 2	1/2"x5/16"	08 B-1	30.0	15.0	20.0	7.2	7.4	2.2	0,79
E1-06	GC 1 30 06 2	5/8"x3/8"	10 B-1	33.0	20.0	23.0	9.5	9.2	2.6	1,18
E1-07	GC 1 30 07 2	3/4"x7/16"	12 B-1	38.0	20.0	28.0	11.1	11.3	2.4	1,31
E1-10	GC 1 30 10 2	1"x17 mm	16 B-1	51.0	25.0	41.0	16.5	16.5	3.5	2,35



PROFILE E2



DESCRIPTION	ARTICLE CODE	CHAIN	ISO 606 (DIN 8187)	B	H	b1	h1	b	h	P	WEIGHT
				mm	mm	mm	mm	mm	mm	mm	Kg/piece
E2-01	GC 1 35 01 2	3/8"x7/32"	06 B-2	36.0	15.0	26.0	4.4	5.4	1.5	15.8	0,94
E2-05	GC 1 35 05 2	1/2"x5/16"	08 B-2	45.0	20.0	35.0	7.2	7.4	2.2	21.4	1,38
E2-06	GC 1 35 06 2	5/8"x3/8"	10 B-2	50.0	25.0	40.0	9.5	9.2	2.6	25.8	1,83
E2-07	GC 1 35 07 2	3/4"x7/16"	12 B-2	56.0	25.0	46.0	11.1	11.3	2.4	30.8	1,87
E2-10	GC 1 35 10 2	1"x17 mm	16 B-2	85.0	30.0	75.0	16.5	16.5	3.5	48.8	2,56

Note: all value have been measured in standard weather conditions: 23°C/73°F with 50% relative humidity (DIN 50005/ISO 554)



PROFILE E1C

MADE IN ITALY

Standard lengths 2 METERS

(on request we provide higher lengths)

Material: PE-UHMW High molecular weight polyethylene (p.m. over 1.000.000)

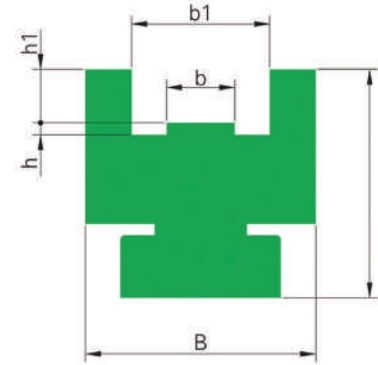
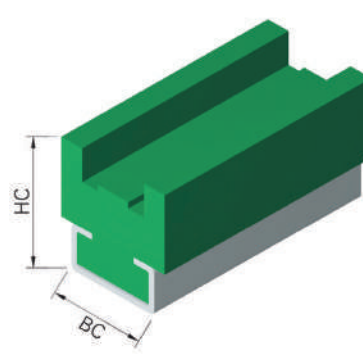
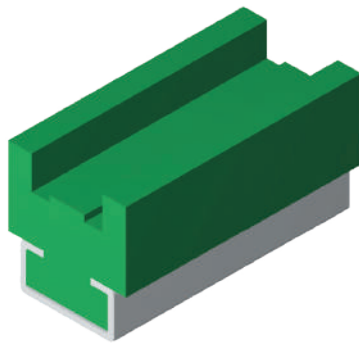
Color: green

Specific gravity: g/cm³ 0,945

Dynamic friction coefficient: 0.2 (P = 0.05 N/mm² - V = 0.6 m/s - T = 40°C)

Temperature range : -70°C ÷ 65°C

Linear thermal expansion: mm 2 every 10°C from the temperature of 20°C.



DESCRIPTION	ARTICLE CODE	CHAIN	ISO 606 (DIN 8187)	B	H	BC	HC	b1	h1	b	h	METALLIC PROFILE	WEIGHT
				mm	mm	mm	mm	mm	mm	mm	mm		Kg/piece
E1C-01	GC 1 40 01 2	3/8"x7/32"	06 B-1	25.0	18.0	20.0	20.0	15.0	4.4	5.4	1.5	C-3	0,67
E1C-05	GC 1 40 05 2	1/2"x5/16"	08 B-1	30.0	25.0	20.0	27.0	20.0	7.2	7.4	2.2	C-3	1,05
E1C-06	GC 1 40 06 2	5/8"x3/8"	10 B-1	33.0	30.0	28.0	32.0	23.0	9.5	9.2	2.6	C-5	1,65
E1C-07	GC 1 40 07 2	3/4"x7/16"	12 B-1	38.0	35.0	38.0	38.5	28.0	11.1	11.3	2.4	C-9	2,31
E1C-10	GC 1 40 10 2	1"x17 mm	16 B-1	51.0	40.0	38.0	43.5	41.0	16.5	16.5	3.5	C-9	3,54

METALLIC PROFILE NOT INCLUDED

Note: all value have been measured in standard weather conditions: 23°C/73°F with 50% relative humidity (DIN 50005/ISO 554)

Quantity, availability and prices on B2B Chiaravalli



PROFILE BL

MADE IN ITALY

Standard lengths 2 METERS

(on request we provide higher lengths)

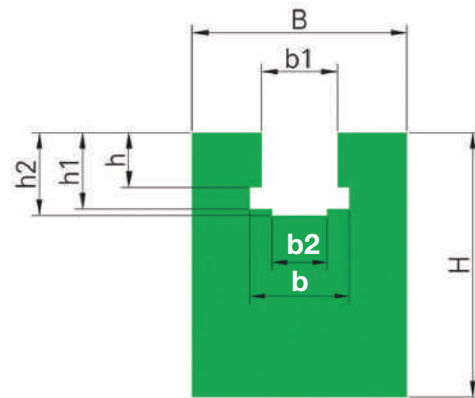
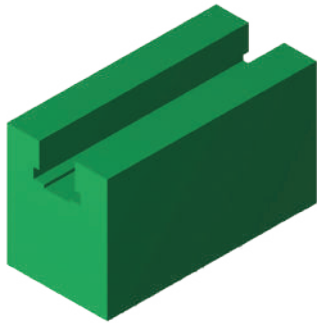
Material: PE-UHMW High molecular weight polyethylene (p.m. over 1.000.000)

Color: green

Specific gravity: g/cm³ 0,945Dynamic friction coefficient: 0.2 (P = 0.05 N/mm² - V = 0.6 m/s - T = 40°C)

Temperature range : -70°C ÷ 65°C

Linear thermal expansion: mm 2 every 10°C from the temperature of 20°C.



DESCRIPTION	ARTICLE CODE	CHAIN	ISO 606 (DIN 8187)	B	H	b1	b2	h1	h2	b	h	WEIGHT
				mm	mm	mm	mm	mm	mm	mm	mm	Kg/pezzo
BL-01	GC 1 45 01 2	3/8"x7/32"	06 B-1	20.0	25.0	6.6	4.0	8.7	10.0	9.3	5.6	0,81
BL-05	GC 1 45 05 2	1/2"x5/16"	08 B-1	24.0	30.0	8.7	5.0	11.5	13.5	12.8	7.6	1,15
BL-09	GC 1 45 09 2	5/8"x3/8"	10 B-1	30.0	35.0	10.4	6.0	13.5	14.8	15.4	9.5	1,66
BL-15	GC 1 45 15 2	3/4"x7/16"	12 B-1	40.0	35.0	12.3	7.0	15.9	17.5	16.9	11.5	2,21
BL-18	GC 1 45 18 2	1"x17 mm	16 B-1	40.0	45.0	16.1	9.0	25.7	26.8	24.4	16.1	2,46
BL-21	GC 1 45 21 2	1 1/4"x3/4"	20 B-1	50.0	50.0	19.3	11.0	29.3	31.2	27.5	19.4	3,45
BL-24	GC 1 45 24 2	1 1/2"x1"	24 B-1	60.0	60.0	25.7	16.0	38.2	40.1	36.5	25.2	4,66
BL-25	GC 1 45 25 2	1 3/4"x31 mm	28 B-1	60.0	70.0	28.3	17.0	46.9	48.9	41.5	30.8	4,95
BL-30	GC 1 45 30 2	2"x31 mm	32 B-1	70.0	75.0	29.6	19.0	47.3	53.0	44.5	30.8	6,53

Note: all value have been measured in standard weather conditions: 23°C/73°F with 50% relative humidity (DIN 50005/ISO 554)

Quantity, availability and prices on B2B Chiaravalli



PROFILE BLC

MADE IN ITALY

Standard lengths 2 METERS

(on request we provide higher lengths)

Material: PE-UHMW High molecular weight polyethylene (p.m. over 1.000.000)

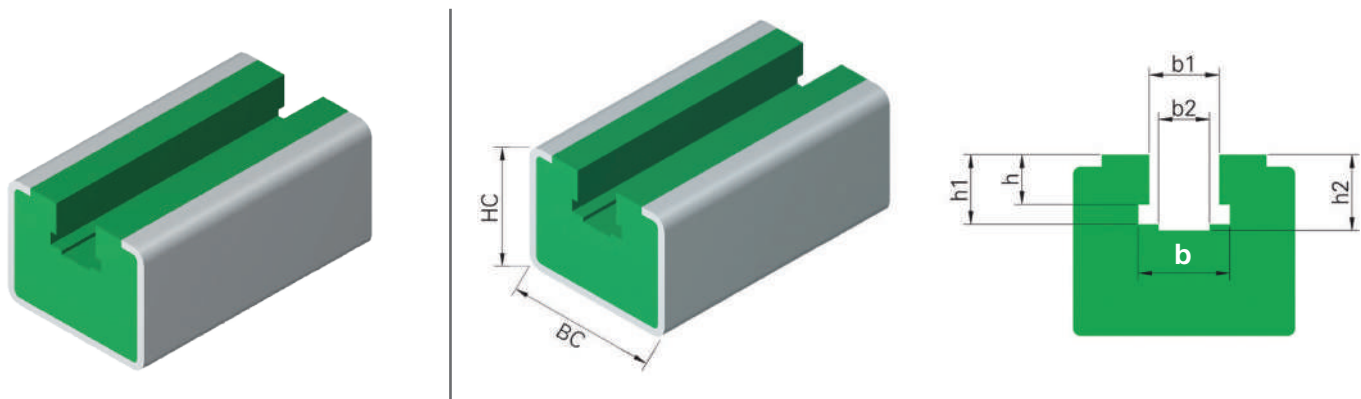
Color: green

Specific gravity: g/cm³ 0,945

Dynamic friction coefficient: 0.2 (P = 0.05 N/mm² - V = 0.6 m/s - T = 40°C)

Temperature range : -70°C ÷ 65°C

Linear thermal expansion: mm 2 every 10°C from the temperature of 20°C.



DESCRIPTION	ARTICLE CODE	CHAIN	ISO 606 (DIN 8187)	BC	HC	b1	b2	h1	h2	b	h	METALLIC PROFILE	WEIGHT
				mm	mm	mm	mm	mm	mm	mm	mm		Kg/piece
BLC-01	GC 1 50 01 2	3/8"x7/32"	06 B-1	30.0	24.0	6.6	4.0	8.7	10.0	9.3	5.6	C-10	0,81
BLC-05	GC 1 50 05 2	1/2"x5/16"	08 B-1	30.0	24.0	8.7	5.0	11.5	13.5	12.8	7.6	C-10	0,81
BLC-09	GC 1 50 09 2	5/8"x3/8"	10 B-1	30.0	24.0	10.4	6.0	13.5	14.8	15.4	9.5	C-10	0,81
BLC-15	GC 1 50 15 2	3/4"x7/16"	12 B-1	30.0	24.0	12.3	7.0	15.9	17.5	16.9	11.5	C-10	0,81
BLC-18	GC 1 50 18 2	1"x17 mm	16 B-1	45.0	40.0	16.1	9.0	25.7	26.8	24.4	16.1	C-11	2,22
BLC-21	GC 1 50 21 2	1 1/4"x3/4"	20 B-1	45.0	40.0	19.3	11.0	29.3	31.2	27.5	19.5	C-11	2,00

METALLIC PROFILE NOT INCLUDED

Note: all value have been measured in standard weather conditions: 23°C/73°F with 50% relative humidity (DIN 50005/ISO 554)

Quantity, availability and prices on B2B Chiaravalli



PROFILE U

MADE IN ITALY

Standard lengths 2 METERS

(on request we provide higher lengths)

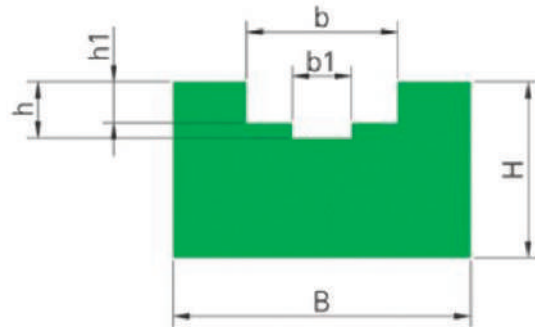
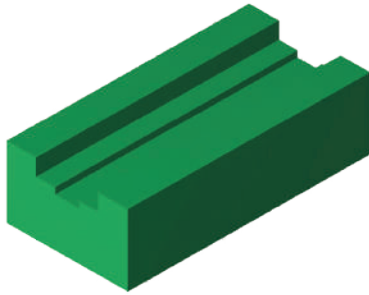
Material: PE-UHMW High molecular weight polyethylene (p.m. over 1.000.000)

Color: green

Specific gravity: g/cm³ 0,945Dynamic friction coefficient: 0.2 (P = 0.05 N/mm² - V = 0.6 m/s - T = 40°C)

Temperature range : -70°C ÷ 65°C

Linear thermal expansion: mm 2 every 10°C from the temperature of 20°C.



DESCRIPTION	ARTICLE CODE	CHAIN	ISO 606 (DIN 8187)	B	H	B	b1	h	h1	WEIGHT
				mm	mm	mm	mm	mm	mm	Kg/piece
U-01	GC 1 55 01 2	3/8"x7/32"	06 B-1	20	15	9.2	4.0	4.2	2.8	0,52
U-02	GC 1 55 02 2	1/2"x5/16"	08 B-1	25	15	12.7	5.0	4.8	3.5	0,62
U-03	GC 1 55 03 2	5/8"x3/8"	10 B-1	25	15	15.2	6.0	5.1	3.6	0,59
U-04	GC 1 55 04 2	3/4"x7/16"	12 B-1	25	20	16.7	7.0	5.7	3.9	0,81
U-05	GC 1 55 05 2	1"x17 mm	16 B-1	35	25	24.2	9.0	10.0	8.4	1,25

Note: all value have been measured in standard weather conditions: 23°C/73°F with 50% relative humidity (DIN 50005/ISO 554)

Quantity, availability and prices on B2B Chiaravalli



PROFILE PC

MADE IN ITALY

Standard lengths 2 METERS

(on request we provide higher lengths)

Material: PE-UHMW High molecular weight polyethylene (p.m. over 1.000.000)

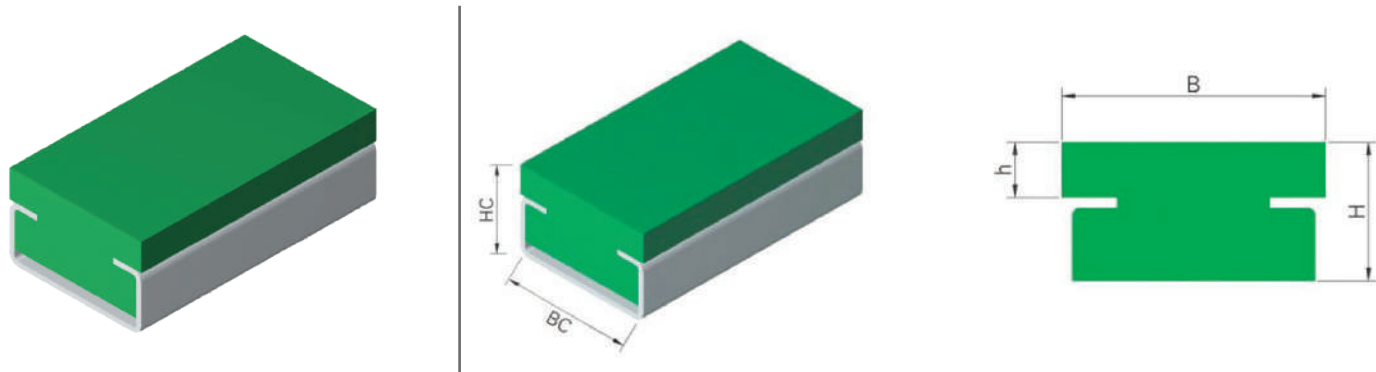
Color: green

Specific gravity: g/cm³ 0,945

Dynamic friction coefficient: 0.2 (P = 0.05 N/mm² - V = 0.6 m/s - T = 40°C)

Temperature range : -70°C ÷ 65°C

Linear thermal expansion: mm 2 every 10°C from the temperature of 20°C.



DESCRIPTION	ARTICLE CODE	B	H	BC	HC	h	METALLIC PROFILE	WEIGHT
		mm	mm	mm	mm	mm		Kg/piece
PC-01	GC 2 60 01 2	20.0	10.0	20.0	14.0	4.0	C-3	0,36
PC-02	GC 2 60 02 2	20.0	15.0	20.0	17.0	7.0	C-3	0,50
PC-03	GC 2 60 03 2	20.0	20.0	20.0	22.0	12.0	C-3	0,73
PC-04	GC 2 60 04 2	28.0	10.0	28.0	15.0	3.0	C-5	0,53
PC-05	GC 2 60 05 2	28.0	15.0	28.0	18.0	6.0	C-5	0,80
PC-06	GC 2 60 06 2	28.0	20.0	28.0	24.0	12.0	C-5	1,06
PC-07	GC 2 60 07 2	38.0	10.0	38.0	21.0	3.0	C-9	0,66
PC-08	GC 2 60 08 2	38.0	15.0	38.0	24.0	6.0	C-9	1,01
PC-09	GC 2 60 09 2	38.0	20.0	38.0	30.0	12.0	C-9	1,37

METALLIC PROFILE NOT INCLUDED

Note: all value have been measured in standard weather conditions: 23°C/73°F with 50% relative humidity (DIN 50005/ISO 554)

Quantity, availability and prices on B2B Chiaravalli



PROFILE SF

MADE IN ITALY

Standard lengths 2 METERS

(on request we provide higher lengths)

Material: PE-UHMW High molecular weight polyethylene (p.m. over 1.000.000)

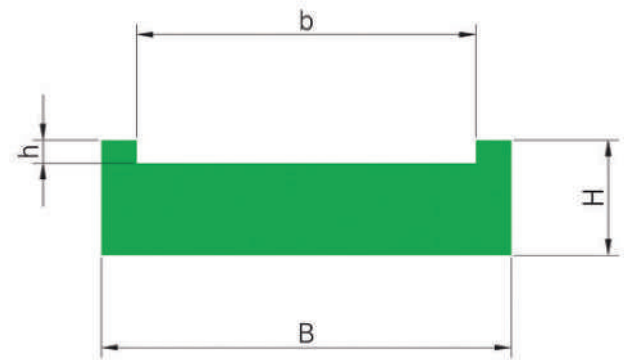
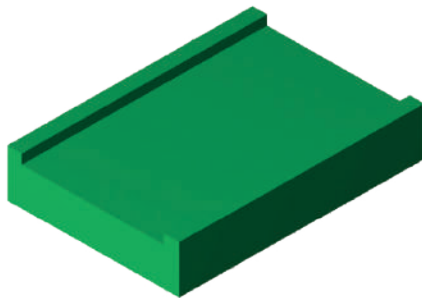
Color: green

Specific gravity: g/cm³ 0,945

Dynamic friction coefficient: 0.2 (P = 0.05 N/mm² - V = 0.6 m/s - T = 40°C)

Temperature range : -70°C ÷ 65°C

Linear thermal expansion: mm 2 every 10°C from the temperature of 20°C.



DESCRIPTION	ARTICLE CODE	REFERENCE BELT	B	H	b	h	WEIGHT
			mm	mm	mm	mm	Kg/piece
SF 5-16	GC 2 65 01 2	T5 16-AT5 16	25.0	10.0	17.0	1.8	0,59
SF 5-25	GC 2 65 02 2	T5 25-AT5 25	34.0	10.0	26.0	1.8	0,76
SF 5-32	GC 2 65 03 2	T5 32-AT5 32	41.0	10.0	33.0	1.8	0,89
SF 5-50	GC 2 65 04 2	T5 50-AT5 50	59.0	10.0	51.0	1.8	1,40
SF 10-16	GC 2 65 05 2	T10 16-AT10 16	25.0	15.0	17.0	3.8	0,88
SF 10-25	GC 2 65 06 2	T10 25-AT10 25	34.0	15.0	26.0	3.8	1,14
SF 10-32	GC 2 65 07 2	T10 32-AT10 32	41.0	15.0	33.0	3.8	1,34
SF 10-50	GC 2 65 08 2	T10 50-AT10 50	59.0	15.0	51.0	3.8	1,85
SF 10-75	GC 2 65 09 2	T10 75-AT10 75	84.0	15.0	76.0	3.8	2,57
SF 10-100	GC 2 65 10 2	T10 100-AT10 100	109.0	15.0	101.0	3.8	3,28
SF 20-25	GC 2 65 11 2	T20 25-AT20 25	34.0	20.0	26.0	7.0	1,52
SF 20-32	GC 2 65 12 2	T20 32-AT20 32	41.0	20.0	33.0	7.0	1,79
SF 20-50	GC 2 65 13 2	T20 50-AT20 50	59.0	20.0	51.0	7.0	2,47
SF 20-75	GC 2 65 14 2	T20 75-AT20 75	84.0	20.0	76.0	7.0	3,71
SF 20-100	GC 2 65 15 2	T20 100-AT20 100	109.0	20.0	101.0	7.0	4,94

Note: all value have been measured in standard weather conditions: 23°C/73°F with 50% relative humidity (DIN 50005/ISO 554)

Quantity, availability and prices on B2B Chiaravalli



PROFILE SFC

MADE IN ITALY

Standard lengths 2 METERS

(on request we provide higher lengths)

Material: PE-UHMW High molecular weight polyethylene (p.m. over 1.000.000)

Color: green

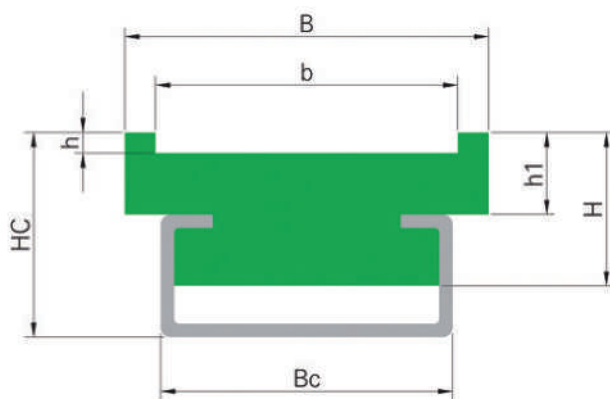
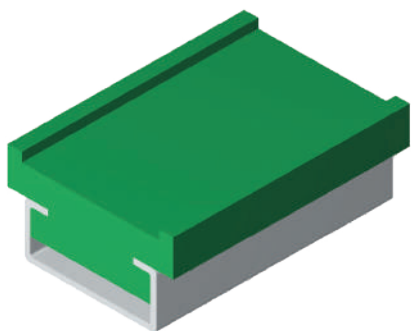
Specific gravity: g/cm³ 0,945

Dynamic friction coefficient: 0.2 (P = 0.05 N/mm² - V = 0.6 m/s - T = 40°C)

Temperature range : -70°C ÷ 65°C

Linear thermal expansion: mm 2 every 10°C from the temperature of 20°C.

4



DESCRIPTION	ARTICLE CODE	REFERENCE BELT	B	H	BC	HC	h1	b	h	METALLIC PROFILE	WEIGHT
			mm	mm	mm	mm	mm	mm	mm		Kg/piece
SFC 5-16	GC 2 70 01 2	T5 16-AT5 16	25.0	15.0	28.0	19.0	7.0	17.0	1.8	C-5	0,88
SFC 5-25	GC 2 70 02 2	T5 25-AT5 25	34.0	15.0	28.0	19.0	7.0	26.0	1.8	C-5	1,14
SFC 5-32	GC 2 70 03 2	T5 32-AT5 32	41.0	20.0	38.0	25.0	7.0	33.0	1.8	C-9	1,79
SFC 5-50	GC 2 70 04 2	T5 50-AT5 50	59.0	20.0	38.0	25.0	7.0	51.0	1.8	C-9	2,79
SFC 10-16	GC 2 70 05 2	T10 16-AT10 16	25.0	17.0	28.0	21.0	9.0	17.0	3.8	C-5	1,18
SFC 10-25	GC 2 70 06 2	T10 25-AT10 25	34.0	17.0	28.0	21.0	9.0	26.0	3.8	C-5	1,52
SFC 10-32	GC 2 70 07 2	T10 32-AT10 32	41.0	22.0	38.0	27.0	9.0	33.0	3.8	C-9	2,23
SFC 10-50	GC 2 70 08 2	T10 50-AT10 50	59.0	22.0	38.0	27.0	9.0	51.0	3.8	C-9	3,09
SFC 10-75	GC 2 70 09 2	T10 75-AT10 75	84.0	22.0	38.0	27.0	9.0	76.0	3.8	C-9	4,63
SFC 10-100	GC 2 70 10 2	T10 100-AT10 100	109.0	22.0	38.0	27.0	9.0	101.0	3.8	C-9	6,18
SFC 20-25	GC 2 70 11 2	T20 25-AT20 25	34.0	20.0	28.0	24.0	12.0	26.0	7.0	C-5	1,52
SFC 20-32	GC 2 70 12 2	T20 32-AT20 32	41.0	25.0	38.0	30.0	12.0	33.0	7.0	C-9	2,23
SFC 20-50	GC 2 70 13 2	T20 50-AT20 50	59.0	25.0	38.0	30.0	12.0	51.0	7.0	C-9	3,09
SFC 20-75	GC 2 70 14 2	T20 75-AT20 75	84.0	25.0	38.0	30.0	12.0	76.0	7.0	C-9	4,63
SFC 20-100	GC 2 70 15 2	T20 100-AT20 100	109.0	25.0	38.0	30.0	12.0	101.0	7.0	C-9	6,18

METALLIC PROFILE NOT INCLUDED

Note: all value have been measured in standard weather conditions: 23°C/73°F with 50% relative humidity (DIN 50005/ISO 554)

Quantity, availability and prices on B2B Chiaravalli



PROFILE V

MADE IN ITALY

Standard lengths 2 METERS

(on request we provide higher lengths)

Material: PE-UHMW High molecular weight polyethylene (p.m. over 1.000.000)

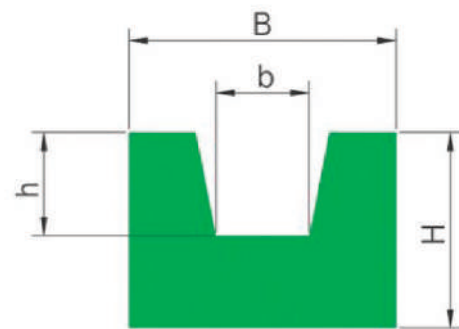
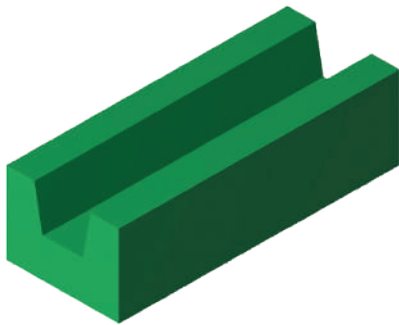
Color: green

Specific gravity: g/cm³ 0,945

Dynamic friction coefficient: 0.2 (P = 0.05 N/mm² - V = 0.6 m/s - T = 40°C)

Temperature range : -70°C ÷ 65°C

Linear thermal expansion: mm 2 every 10°C from the temperature of 20°C.



DESCRIPTION	ARTICLE CODE	TRAPEZOIDAL BELT	B	H	b	h	WEIGHT
			mm	mm	mm	mm	Kg/piece
V-01	GC 2 75 01 2	Z	20.0	10.0	6.5	3.0	0,34
V-03	GC 2 75 03 2	A	20.0	12.0	8.0	5.0	0,34
V-05	GC 2 75 05 2	SPB	25.0	12.0	9.5	5.0	0,53
V-07	GC 2 75 07 2	B	30.0	15.0	10.5	8.0	0,67
V-09	GC 2 75 09 2	C	35.0	20.0	13.5	11.0	1,00
V-11	GC 2 75 11 2	D	40.0	25.0	19.0	13.0	1,50

Note: all value have been measured in standard weather conditions: 23°C/73°F with 50% relative humidity (DIN 50005/ISO 554)



PROFILE VC

MADE IN ITALY

Standard lengths 2 METERS

(on request we provide higher lengths)

Material: PE-UHMW High molecular weight polyethylene (p.m. over 1.000.000)

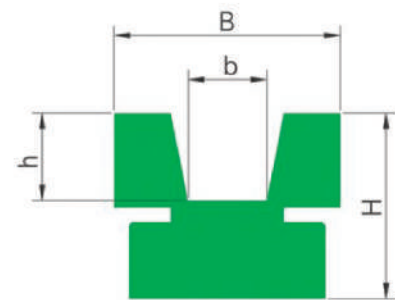
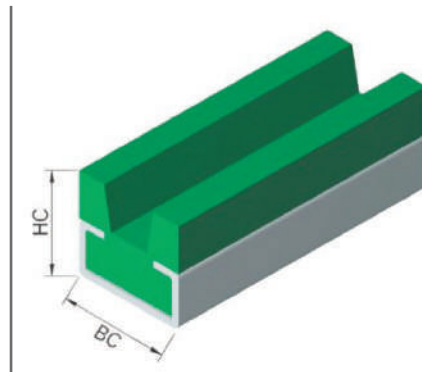
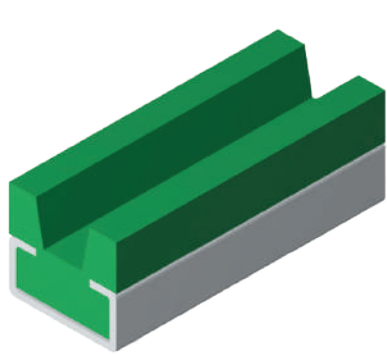
Color: green

Specific gravity: g/cm³ 0,945

Dynamic friction coefficient: 0.2 (P = 0.05 N/mm² - V = 0.6 m/s - T = 40°C)

Temperature range : -70°C ÷ 65°C

Linear thermal expansion: mm 2 every 10°C from the temperature of 20°C.



DESCRIPTION	ARTICLE CODE	TRAPEZOIDAL BELT	B	H	BH	HC	b	h	METALLIC PROFILE	WEIGHT
			mm	mm	mm	mm	mm	mm		Kg/piece
VC-02	GC 2 80 02 2	Z	20.0	15.0	20.0	17.0	6.5	3.0	C-3	0,28
VC-04	GC 2 80 04 2	A	20.0	15.0	20.0	17.0	8.0	5.0	C-3	0,27
VC-06	GC 2 80 06 2	SPB	25.0	20.0	28.0	24.0	9.5	5.0	C-5	0,60
VC-08	GC 2 80 08 2	B	30.0	20.0	28.0	24.0	10.5	8.0	C-5	0,72
VC-10	GC 2 80 10 2	C	35.0	25.0	38.0	32.0	13.5	11.0	C-9	1,14
VC-12	GC 2 80 12 2	D	40.0	25.0	38.0	35.0	19.0	13.0	C-9	1,12

METALLIC PROFILE NOT INCLUDED

Note: all value have been measured in standard weather conditions: 23°C/73°F with 50% relative humidity (DIN 50005/ISO 554)

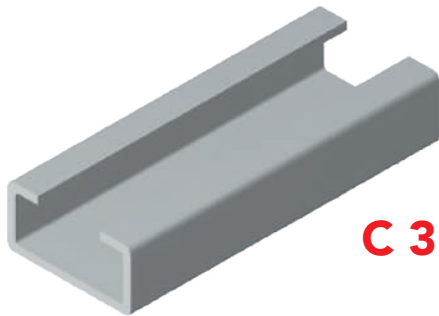
Quantity, availability and prices on B2B Chiaravalli



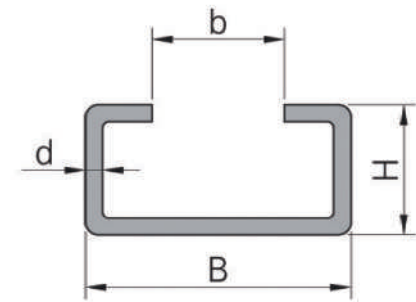
C 3 - 5 - 9 - 10 - 11

MADE IN ITALY

Material: galvanized steel FE
AISI 304 steel

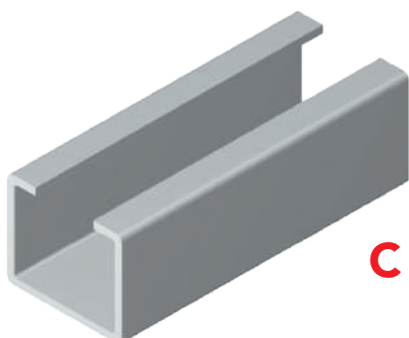


C 3 - 5 - 9

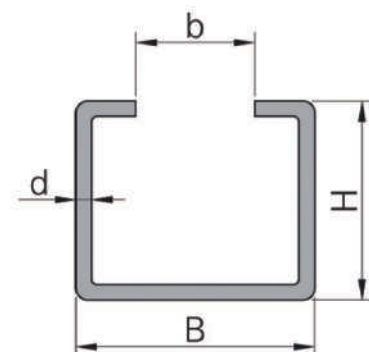


DESCRIPTION	ARTICLE CODE	B	H	b	d	WEIGHT
GALVANIZED STEEL FE		mm	mm	mm	mm	Kg/piece
C-3 ZINCATO	GC 0 00 03 2	20.0	10.0	10.0	1.5	0,86
C-5 ZINCATO	GC 0 00 05 2	28.0	12.0	14.0	1.5	1,70
C-9 ZINCATO	GC 0 00 09 2	38.0	18.0	22.0	1.5	1,96
C-10 ZINCATO	GC 0 00 10 2	30.0	24.0	20.0	1.5	1,88
C-11 ZINCATO	GC 0 00 11 2	45.0	40.0	31.0	1.5	4,10

DESCRIPTION	ARTICLE CODE	B	H	b	d	WEIGHT
AISI 304 STEEL		mm	mm	mm	mm	Kg/piece
C-3 INOX	GC 0 10 03 2	20.0	10.0	10.0	1.5	0,86
C-5 INOX	GC 0 10 05 2	28.0	12.0	14.0	1.5	1,70
C-9 INOX	GC 0 10 09 2	38.0	18.0	22.0	1.5	1,96
C-10 INOX	GC 0 10 10 2	30.0	24.0	20.0	1.5	1,88
C-11 INOX	GC 0 10 11 2	45.0	40.0	31.0	1.5	4,10



C 10 - 11



Note: all value have been measured in standard weather conditions: 23°C/73°F with 50% relative humidity (DIN 50005/ISO 554)